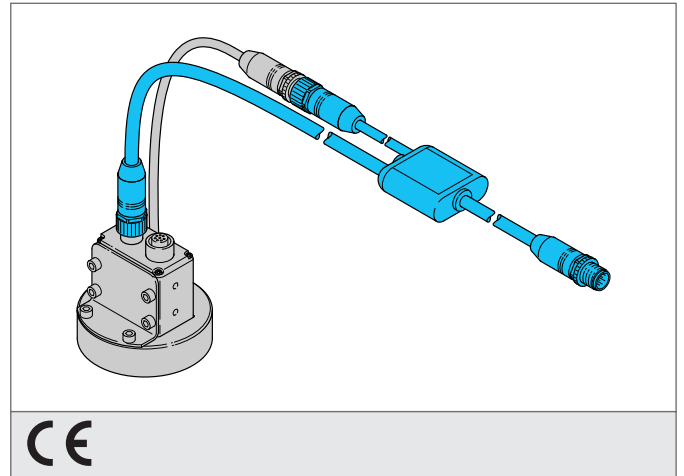


CS-Y-0.3/12-A Y-Verteilerkabel

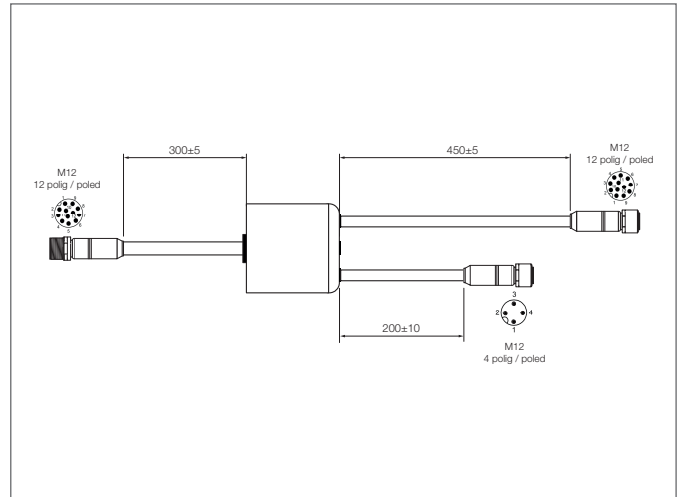
- Resistente revestimiento de PU
- Cable flexible
- Elevado grado de protección IP67
- Conector metálico



CE

Safety instructions

The Instruments are not to be used for safety applications, in particular applications in which safety of persons depends on proper operation of the instruments.
These instruments shall exclusively be used by qualified personnel.



TECHNICAL INFORMATION (typ.)	+20°C, 24V DC
Tensión de alimentación	< 30 V DC
Temperatura ambiente, operación	-20 ... +85 °C
Técnica de protección	IP 67
material de la carcasa	Plásticos
Material	PUR (Cable)
Conexión	Conector, M12, 12-polos
Connection 2	Socket, M12, 4-polos, 12-polos
Referencia	IN & OUT remains on PNP (CS50)
Operating current	< 1,5 A DC
External lighting trigger (pnp)	Either OUT 3 (CS 50 ...) or PIN 6 (connector M 12)