

MB-DIF-R-125

Diffusor

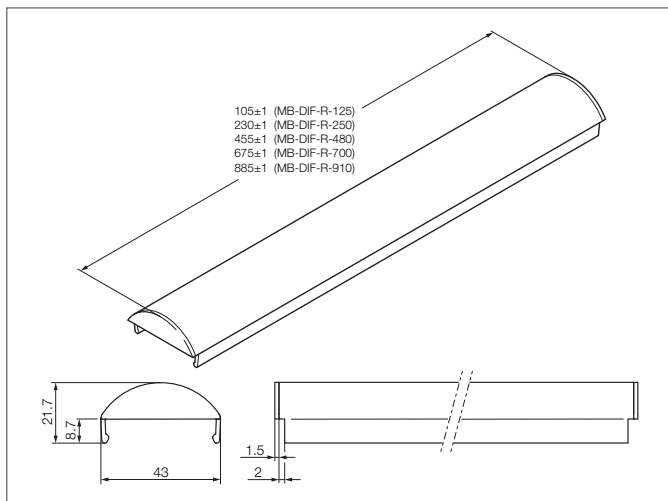
- Difúzní filtr
- Pro homogenní redukci svítlosti a osvětlení
- Rychlá a snadná montáž



Safety instructions

The Instruments are not to be used for safety applications, in particular applications in which safety of persons depends on proper operation of the instruments.

These instruments shall exclusively be used by qualified personnel.



TECHNICAL INFORMATION (typ.)	+20°C
Pripevnění	by clamping groove
Osvětlená oblast	43 x 105 mm
Vhodné pro	MB-N-12x ..., SB-RGB-126 ...
Materiál	PC diffuse (Okno)
Hmotnost	15 g