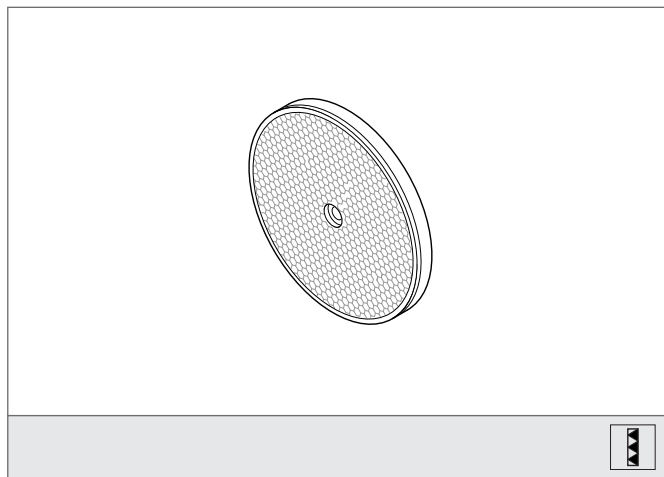


## R 84 Reflector

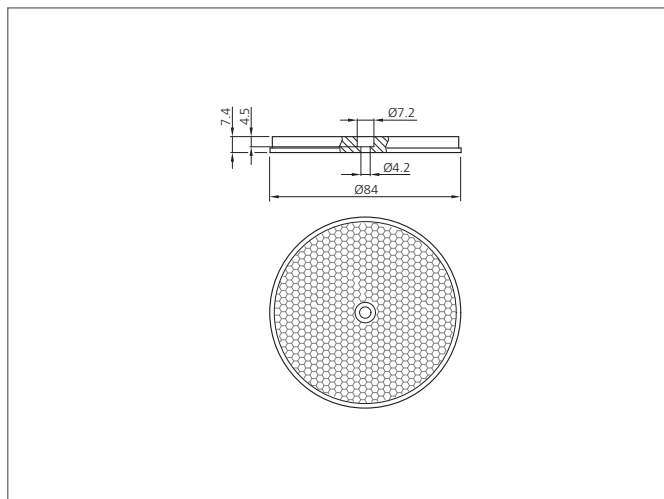
- Pro infračervené a červené sv tlo
- Tepelná odolnost do 80 °C
- Otvor Ø4,5 mm (1x)
- Vhodné pro polarizované sv tlo



### Safety instructions

The Instruments are not to be used for safety applications, in particular applications in which safety of persons depends on proper operation of the instruments.

These instruments shall exclusively be used by qualified personnel.



### TECHNICAL INFORMATION (typ.)

P ípevn ní

Velikost

Tvar

Vyza ované sv tlo

Teplota okolí, provoz

Verze

**+20°C, 24V DC**

Otvor

Ø 84 mm (Pr m r)  
7,4 mm (V ýška)

Kruh

Infračervené a červené sv tlo

-20 ... +60 °C

Reflektor