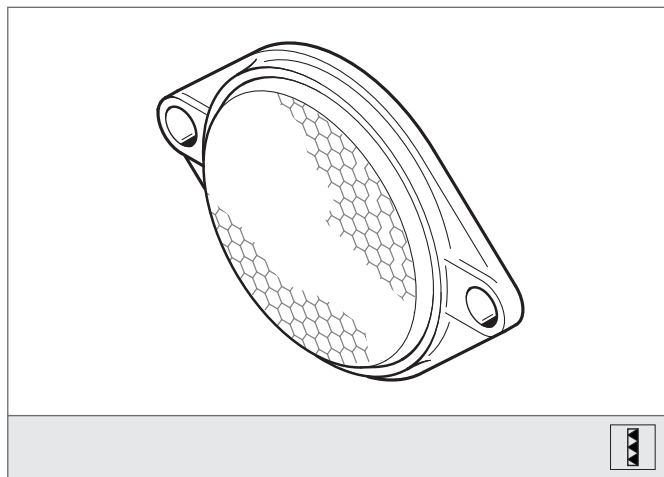


## R 46 Reflector

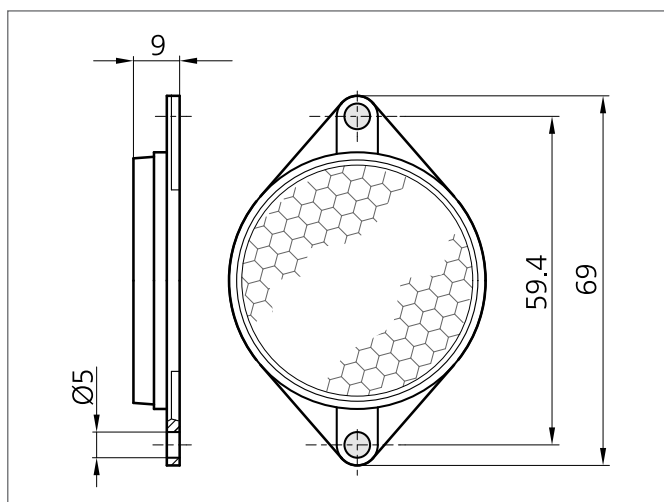
- For infrared and red light
- Heat-resistant until 80 °C
- Adhesive
- Suitable for polarized light



### Safety instructions

The Instruments are not to be used for safety applications, in particular applications in which safety of persons depends on proper operation of the instruments.

These instruments shall exclusively be used by qualified personnel.



### TECHNICAL INFORMATION (typ.)

Mounting

**+20°C, 24V DC**

2 holes

Size

Ø 46 mm (Diameter)

9 mm (Height)

Ambient temperature, operation

until 80 °C

Casing material

plastics black