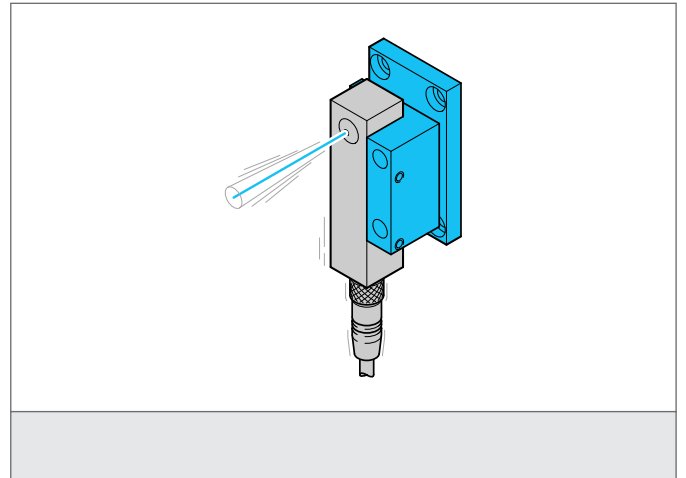


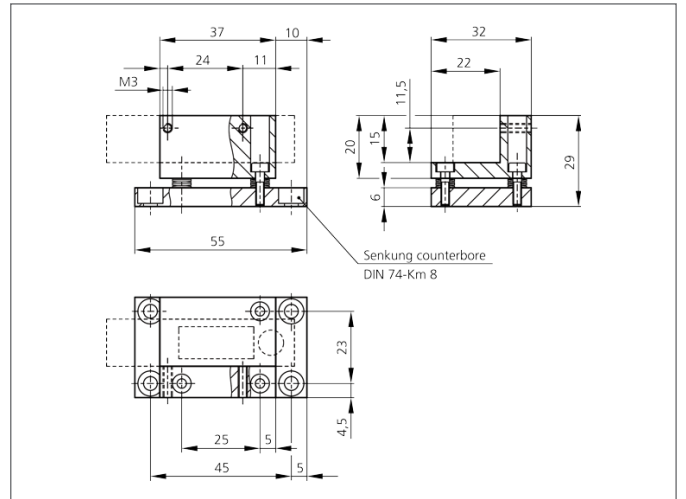
TP-Q90
Swash Plate

- Exact alignment by disk springs
- Robust casing



Safety instructions

The Instruments are not to be used for safety applications, in particular applications in which safety of persons depends on proper operation of the instruments.
 These instruments shall exclusively be used by qualified personnel.



TECHNICAL INFORMATION (typ.)	+20°C, 24V DC
Characteristics	Adjustable
Suitable for	Sensor size OLS Q10 ... / OLS Q15 ...
Casing material	Aluminium