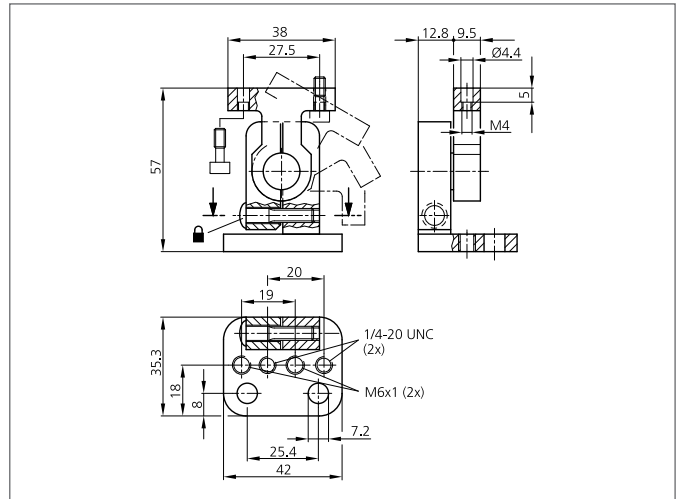


CKR-200-BKT

Adjustable mounting plate

- Adjustable bracket for mounting the checker,
- Smooth adjustment
- -
- Robust design



TECHNICAL INFORMATION (typ.)	+20°C, 24V DC
Suitable for	Vision Sensors CKR ..., Vision Sensors CxG ..., Vision Sensors CS 50 ... / SH-G-CS
Casing material	Aluminium black anodized