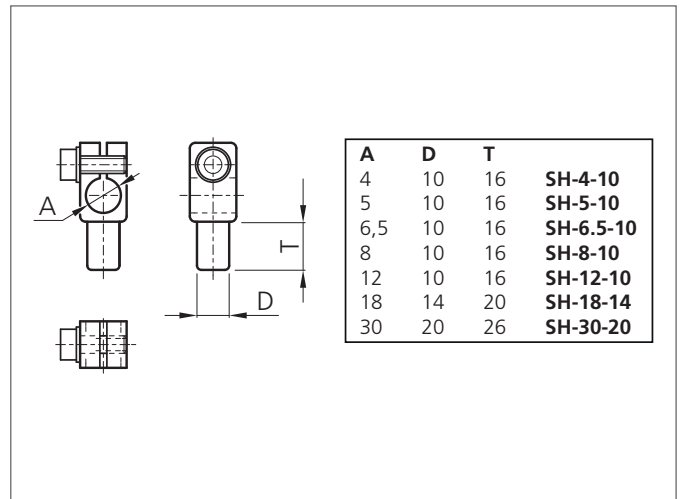
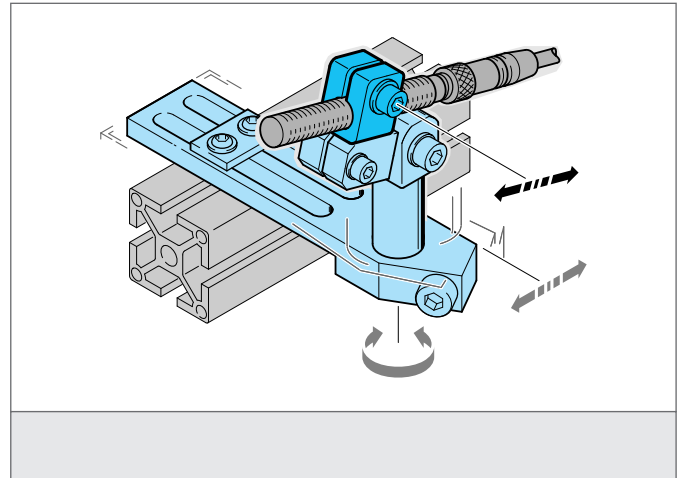


## SH-4-10 Sensor Holder Ø 4mm

- Highly flexible versatile mounting system
- All-purpose mounting
- Smooth adjustment
- Robust design



### TECHNICAL INFORMATION (typ.)

Size	<b>+20°C, 24V DC</b> 4,0 mm (Diameter A) 10 mm (Spacer measure D)
Suitable for	Clamping pin 10 mm
Casing material	polyamide
Product series	System holder HS