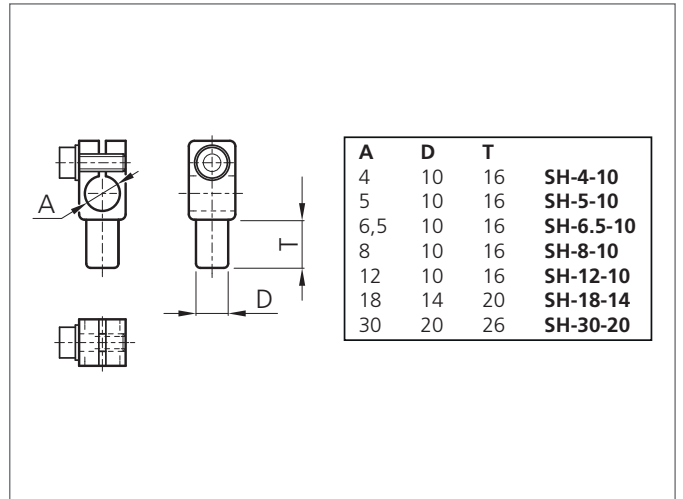
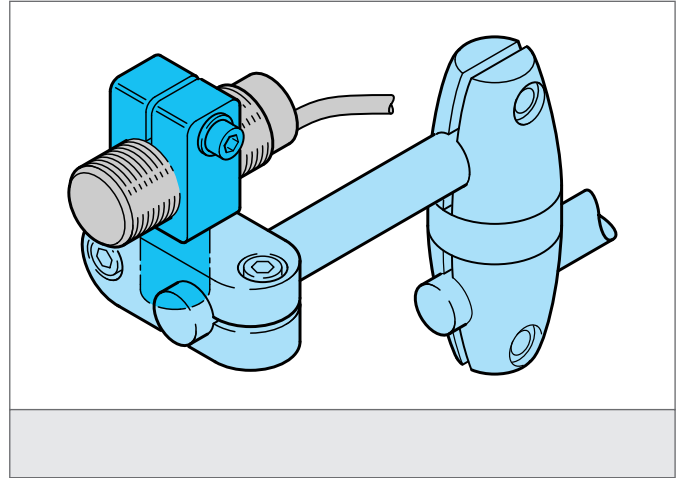


# SH-30-20

## Sensor Holder Ø 30mm

- Highly flexible versatile mounting system
- All-purpose mounting
- Smooth adjustment
- Robust design



TECHNICAL INFORMATION (typ.)		+20°C, 24V DC
Size		30 mm (Diameter A) 20 mm (Spacer measure D)
Suitable for		Clamping pin 20 mm
Casing material		polyamide
Product series		System holder HS