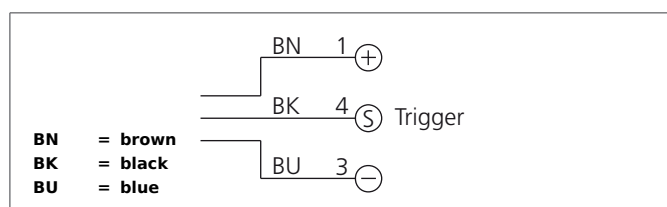


BEK-P14-G1T-IBS

Spotlight

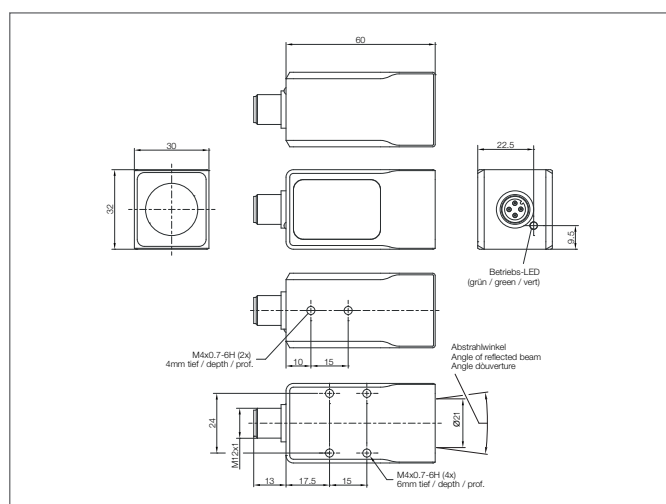
- Constant level of light intensity over the entire voltage range
- Homogenous luminous field
- External trigger input
- Internal control of power output
- High efficiency
- Low levels of heat produced
- Robust metal casing



Safety instructions

The Instruments are not to be used for safety applications, in particular applications in which safety of persons depends on proper operation of the instruments.

These instruments shall exclusively be used by qualified personnel.



| TECHNICAL INFORMATION (typ.) | +20°C |
|--------------------------------|---|
| Size | 30 x 32 x 60 mm (Dimensions) |
| Characteristics | Internal control of power output, Trigger input |
| Light colour | Red, 634 nm |
| Emission angle FWHM | 14° |
| Service voltage | 18 ... 30 V DC (Supply Class 2) |
| No-load current | 115 mA, (24 V DC) |
| Light outlet | axial |
| Trigger input low level | 0 ... < 2,8 V |
| Trigger input high level | > 3,4 ... 30 V |
| Power | 2,8 W (18...30 V DC) |
| Inverse polarity protection | Yes |
| Display | LED: green - Operation |
| Ambient temperature, operation | 0 ... +40 °C |
| Protection class | IP 67 |
| Protection degree | III, operation on protective low voltage |
| Casing material | Aluminium black anodized |
| Material | polymethyl methacrylate (Window) |
| Connection | Connector, M12, 4-poled |
| Weight | 110 g |
| Connecting cable | VK ... |