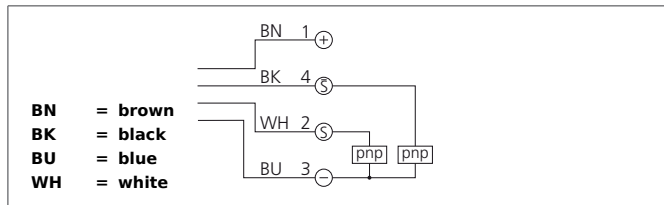
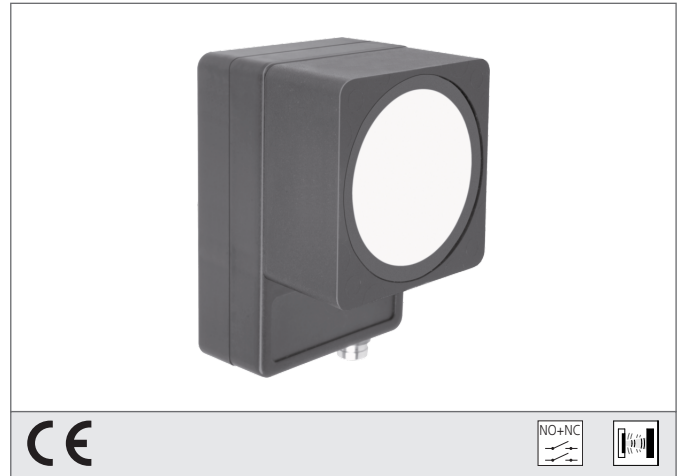


US 60 K 5000 PSO-TSSL

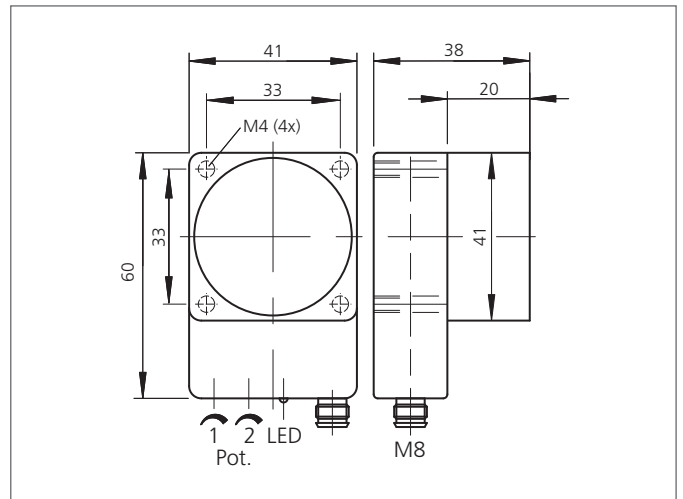
Ultrasonic Sensor

- Robust casing
- Compact design
- Scanning range adjustable
- Insensitive to dirt
- Insensitive to ambient noise
- Scanning does not depend on surface
- Switching output
- High resolution
- Piezo-ceramic composite transducer



Safety instructions

The Instruments are not to be used for safety applications, in particular applications in which safety of persons depends on proper operation of the instruments.
 These instruments shall exclusively be used by qualified personnel.



| TECHNICAL INFORMATION (typ.) | +20°C, 24V DC |
|--------------------------------|-------------------------------|
| Operating principle | Ultrasonic sensor |
| Evaluation | digital |
| Size | 60 x 41 x 38 mm (Dimensions) |
| Design | cuboid design |
| Service voltage | 15 ... 30 V DC |
| No-load current | 65 mA |
| Operating distance | 400 ... 5000 mm |
| Resolution | 0,1 % / Sn max. |
| Switching output | pnp, 100 mA, NO/NC |
| Switching hysteresis | 80 mm |
| Sound frequency | 80 kHz |
| Shock-/vibration load | 10 ... 55 Hz / 1,0 mm / 30 g |
| Switching frequency | 2 Hz |
| Accuracy | < 1 % / Sn max. |
| Response-/release time | 700 ms / 140 ms (50% Sn max.) |
| Ambient temperature, operation | -20 ... +50 °C |
| Temperature drift | 1 % (-20 ... +50°C) |
| Insulation voltage endurance | 500 V |
| Protection class | IP 67 |
| Casing material | polyamide |
| Connection | Connector, M8, 4-poled |