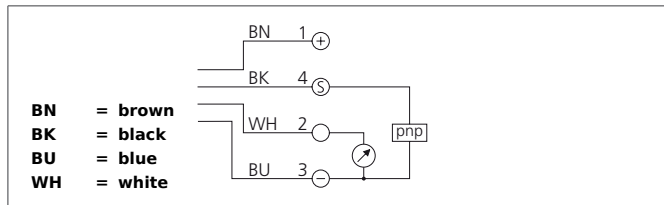


# US 60 K 2500 PSI-TSSL

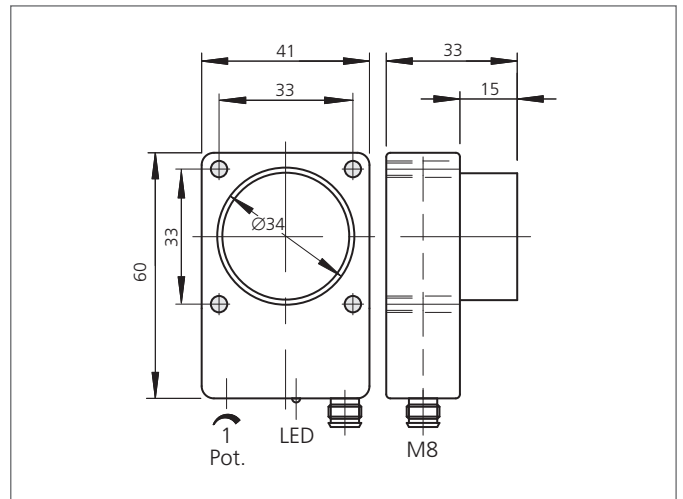
## Ultrasonic Sensor

- Robust casing
- Compact design
- Scanning range adjustable
- Insensitive to dirt
- Insensitive to ambient noise
- Scanning does not depend on surface
- Switching output and analog output
- High follow-up speed
- High resolution
- Piezo-ceramic composite transducer



### Safety instructions

The Instruments are not to be used for safety applications, in particular applications in which safety of persons depends on proper operation of the instruments.  
 These instruments shall exclusively be used by qualified personnel.



TECHNICAL INFORMATION (typ.)	+20°C, 24V DC
Operating principle	Ultrasonic sensor
Evaluation	digital, analog
Size	60 x 41 x 33 mm (Dimensions)
Design	cuboid design
Service voltage	15 ... 30 V DC
No-load current	80 mA
Operating distance	250 ... 2500 mm
Resolution	0,1 % / Sn max.
Switching output	pnp, 100 mA, NO + analog
Switching hysteresis	40 mm
Analog output	4 ... 20 mA
Measuring time	400 ms (95% Sn max.)
Sound frequency	120 kHz
Ripple	15 mV
Linearity analog output	< 0,5 % / Sn max.
Shock-/vibration load	10 ... 55 Hz / 1,0 mm / 30 g
Switching frequency	3 Hz
Accuracy	< 1 % / Sn max.
Response-/release time	200 ms / 120 ms (50% Sn max.)
Ambient temperature, operation	-20 ... +50 °C
Temperature drift	1 % (-20 ... +50°C)
Load resistance	< 400 Ω
Insulation voltage endurance	500 V

# US 60 K 2500 PSI-TSSL

## Ultrasonic Sensor



<b>TECHNICAL INFORMATION (typ.)</b>	<b>+20°C, 24V DC</b>
Protection class	IP 67
Casing material	polyamide
Connection	Connector, M8, 4-poled