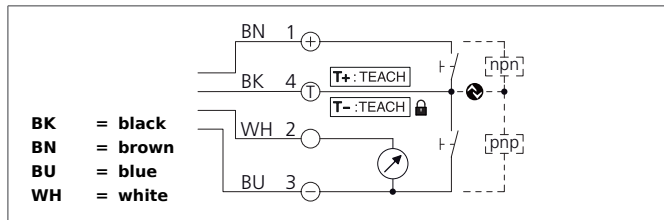


US 30 M 3000 IU-B4

Ultrasonic Sensor

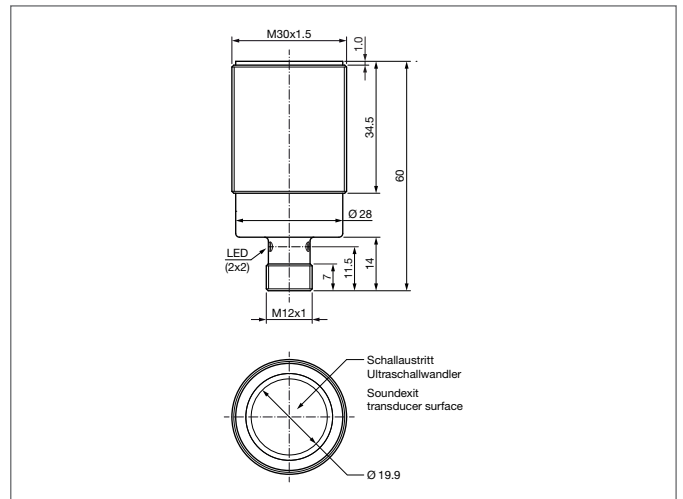


- IO-Link
- Can be configured as ultrasonic diffuser, ultrasonic barrier or for the analog distance measurement
- 3 different teach modes
- Scanning range adjustable
- Analog output 4 ... 20 mA / 0 ... 10 V, depending on load
- Insensitive to dirt
- Insensitive to ambient noise
- Scanning does not depend on surface
- Metal casing with connector M12
- Protection class IP 67



Safety instructions

The Instruments are not to be used for safety applications, in particular applications in which safety of persons depends on proper operation of the instruments.
These instruments shall exclusively be used by qualified personnel.



TECHNICAL INFORMATION (typ.)		+20°C, 24V DC
Operating principle		Retroreflective sensor, Diffuser, Window mode, analog distance measurement, configurable via IO-Link
Evaluation		analog, digital (via IO-Link)
Operating modes		Default, Master/Slave function (synchronization or multiplex mode)
Size		M30 x 1,5 (thread)
Design		screw
Sending axis		axial
Nominal switching distance (Sn)		3000 mm
Standardized measuring plate		200 x 200 mm
Service voltage		18 ... 30 V DC
No-load current		< 45 mA, (24 V DC)
Operating distance		300 ... 3000 mm adjustable
Resolution		0,02 ... 0,66 mm (analog), 1 mm (IO-Link)
Sensitivity adjustment		Remote teach
Mounting distance		> 500 mm (Sensor to sensor)
Switching output		Push pull, 100 mA
Max. power operating		100 mA
Switching hysteresis		5 ... 50 mm (15 mm preset), via IO-Link adjustable
Analog output		0 ... 10 V, 4 ... 20 mA
Sound frequency		125 kHz
Linearity analog output		< 0,2 % / Sn max.
Interface		IO-Link, V1.1, COM2 (38,4kBd), Smart Sensor Profile

US 30 M 3000 IU-B4 Ultrasonic Sensor



TECHNICAL INFORMATION (typ.)	+20°C, 24V DC
Inverse polarity protection	Yes
Display	2 x LED yellow (Display output), 2 x LED green (status)
Voltage drop	< 2,0 V
Switching frequency	3 Hz
Short-circuit protection	yes
Reproducibility	2 mm
Readiness delay	< 300 ms
Ambient temperature, operation	-25 ... +70 °C
Temperature drift	0.2 %/K (uncompensated), < 1.5 %/Sn (compensated)
Load resistance	> 10 KΩ (0 ... 10 V) / < 400 Ω (4 ... 20 mA)
Insulation voltage endurance	500 V
Protection class	IP 67
Protection degree	III, operation on protective low voltage
Casing material	brass nickel plated
Material	epoxy resin, PUR (Transducer surface)
Connection	Connector, M12 x 1, 4-poled
Scope of delivery	2 x M30 nuts