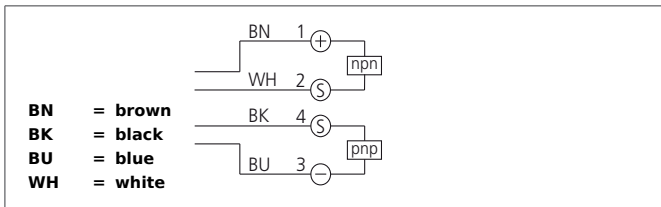


# OGU 05/100 PN3K-TSSL

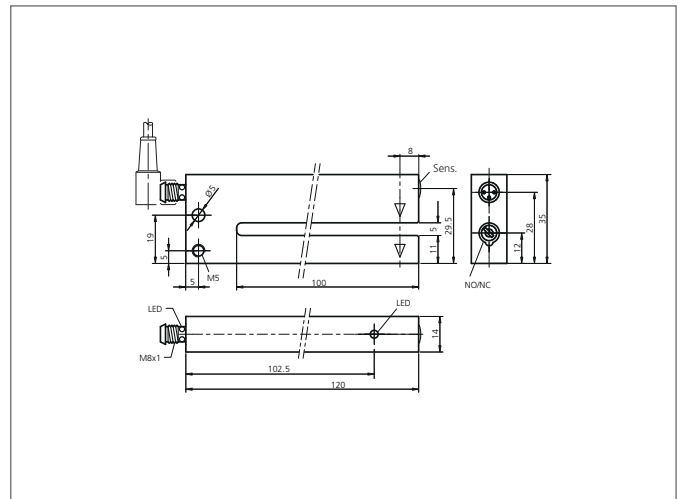
## Optical Label Sensor

- Light/dark switching
- Metal casing
- Integrated electronic module
- Sensitivity adjustable
- High operating frequency
- Bright ring LED
- High protection class
- 5-year warranty



### Safety instructions

The Instruments are not to be used for safety applications, in particular applications in which safety of persons depends on proper operation of the instruments.  
 These instruments shall exclusively be used by qualified personnel.



| TECHNICAL INFORMATION (typ.)   | +20°C, 24V DC                            |
|--------------------------------|--|
| Operating principle            | Optical                                  |
| Evaluation                     | digital                                  |
| Size                           | 35 x 120 x 14 mm (Dimensions)            |
| Design                         | fork                                     |
| Fork opening                   | 5 mm                                     |
| Branch length inside           | 100 mm                                   |
| Emitted light                  | Infrared, 880 nm, non-clocked            |
| Service voltage                | 10 ... 35 V DC (Supply Class 2)          |
| No-load current                | < 45 mA                                  |
| Sensitivity adjustment         | potentiometer                            |
| Switching output               | pnp+npn, 200 mA, NO/NC, switchable       |
| Switching hysteresis           | < 0,1 mm                                 |
| Shock-/vibration load          | 10 ... 55 Hz / 1,0 mm / 30 g             |
| Voltage drop                   | < 2,8 V                                  |
| Switching frequency            | 10000 Hz                                 |
| Ambient temperature, operation | -10 ... +60 °C                           |
| Ambient light immunity         | 10 kLx                                   |
| Insulation voltage endurance   | 500 V                                    |
| Protection class               | IP 67                                    |
| Protection degree              | III, operation on protective low voltage |
| Casing material                | Die-cast zinc black lacquered finish     |
| Connection                     | Connector, M8, 4-poled                   |
| Connecting cable               | TK ... /4                                |