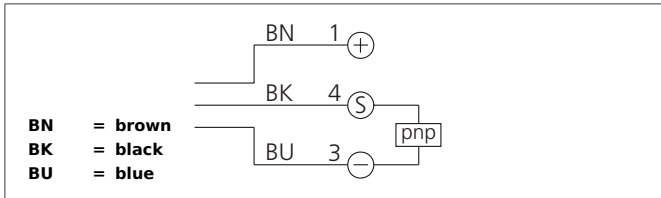


OLV 41 P3K-IBS

Amplifier for glass fiber optics

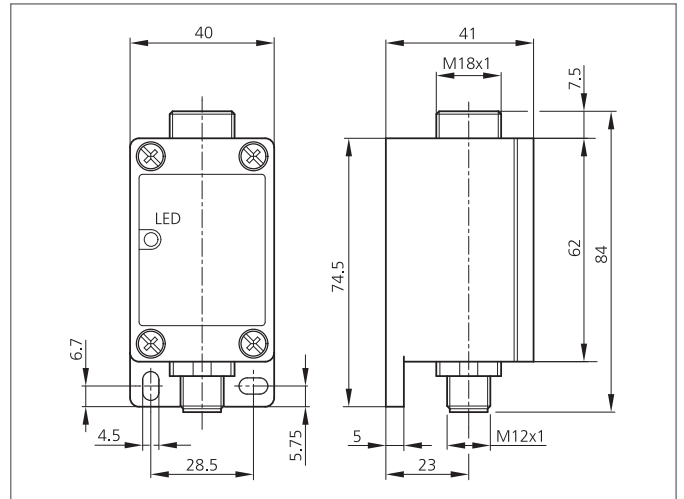
- Metal casing
- Red light
- Sensitivity adjustable
- High operating frequency
- Light/dark switching
- Time module optionally available



Safety instructions

The Instruments are not to be used for safety applications, in particular applications in which safety of persons depends on proper operation of the instruments.

These instruments shall exclusively be used by qualified personnel.



TECHNICAL INFORMATION (typ.)	
Amplifier for	+20°C, 24V DC Glass fiber optics M18
Evaluation	digital
Emitted light	Red, 660 nm, clocked
Service voltage	12 ... 35 V DC
No-load current	< 55 mA
Sensitivity adjustment	potentiometer
Switching output	pnp, 200 mA, NO/NC, programmable
Switching hysteresis	< 10 %
Shock-/vibration load	10 ... 55 Hz / 1,0 mm / 30 g
Switching frequency	1500 Hz
Response-/release time	0,33 ms / 0,33 ms
Ambient temperature, operation	-10 ... +60 °C
Temperature drift	0,3 %/K
Ambient light immunity	20 kLx
Insulation voltage endurance	500 V
Protection class	IP 65
Casing material	Die-cast zinc lacquered finish
Connection	Connector, M12, 3-poled