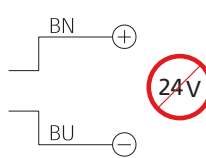


BE-A300-F0-K

Barlight

- High excess current factor
- Flash mode operation for „frozen images“ and inspection of fast moving objects at extremely high light intensity
- Long-life thanks to intelligent thermal management
- Homogenous luminous field
- High protection class
- Robust metal casing
- Universal mounting possibility
- Scratch-proof protection window
- Mounts und Optics available as an option



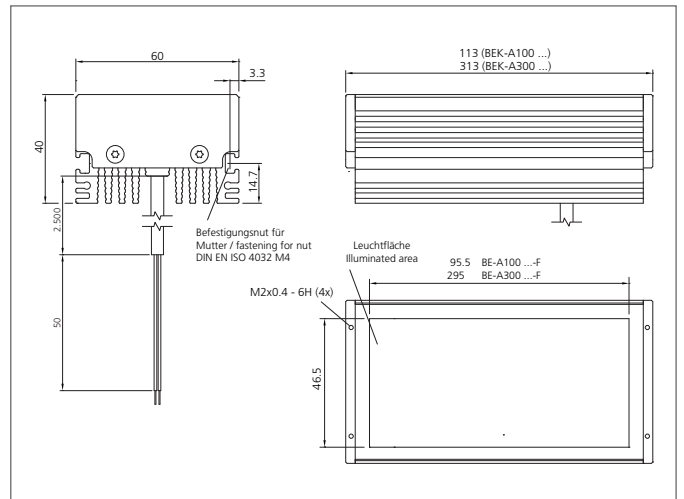


BN = marrone
BU = blu

Betrieb ausschließlich mit Flash-Controller an einem *Supply Class 2* - Netzteil!
Use only with flash equipment driven by a power supply *Class 2*!
A utiliser exclusivement avec un contrôleur d'impulsion connecté à une alimentation *Class 2*!

Safety instructions

The Instruments are not to be used for safety applications, in particular applications in which safety of persons depends on proper operation of the instruments.
These instruments shall exclusively be used by qualified personnel.



TECHNICAL INFORMATION (typ.)	+20°C
Pulse power consumption (max)	1500 W
Pulse overload factor	24
Pulse current capacity	60000 mA
Design	Barlight
Illuminated area	46 x 295 mm
Characteristics	Flashable by means of flash controller
Light colour	Infrared, 850 nm
Emission angle FWHM	30°
Illumination intensity	650000 µW/cm ² (0.1 m / 2400%) 367000 µW/cm ² (0.2 m / 2400%) 150000 µW/cm ² (0.5 m / 2400%) 46000 µW/cm ² (1.0 m / 2400%)
Service voltage	No constant voltage!
Shock-/vibration load	10 ... 55 Hz / 1,0 mm / 30 g
Ambient temperature, operation	0 ... +40 °C
Protection class	IP 67
Risk group (DIN EN 62471)	Risk group 1
Casing material	Aluminium black anodized
Material	PUR (Cable) PMMA, hardcoated (Protection optics)
Connection	Cable, 2,5 m, flying leads, Use only with flash equipment!
Weight	1100 g