

MS 70 PS-TSSL Magnetic Field Sensor

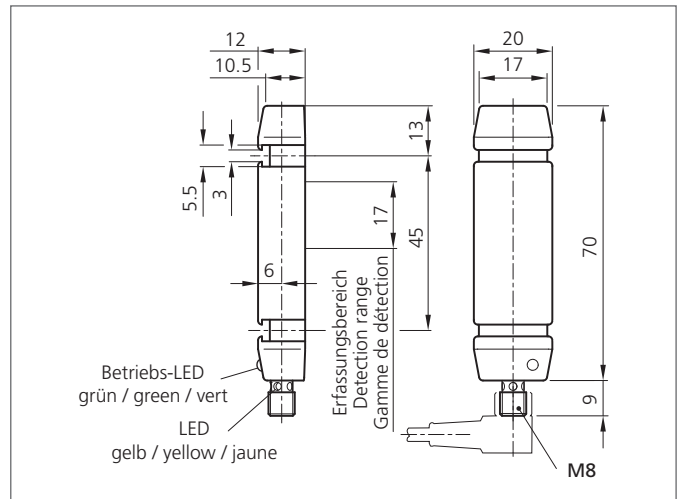
- Detection of current flow in welding cables
- Compact design
- Low weight
- Slot for quick mounting



Safety instructions

The Instruments are not to be used for safety applications, in particular applications in which safety of persons depends on proper operation of the instruments.

These instruments shall exclusively be used by qualified personnel.



TECHNICAL INFORMATION (typ.)	+20°C, 24V DC
Service voltage	10 ... 30 V DC
No-load current	< 10 mA
Switching output	pnp, 200 mA, NO
Magnetic activation field	5 mT
Field type	AC/DC, frequency afflicted
Pulse stretching	150 ms
Display	LED: yellow - output signal
Voltage drop	< 2,0 V
Response-/release time	0,06 ms
Ambient temperature, operation	-25 ... +70 °C
Insulation voltage endurance	500 V
Protection class	IP 67
Casing material	plastics (polycarbonate - PC)
Connection	Connector, M8, 3-poled