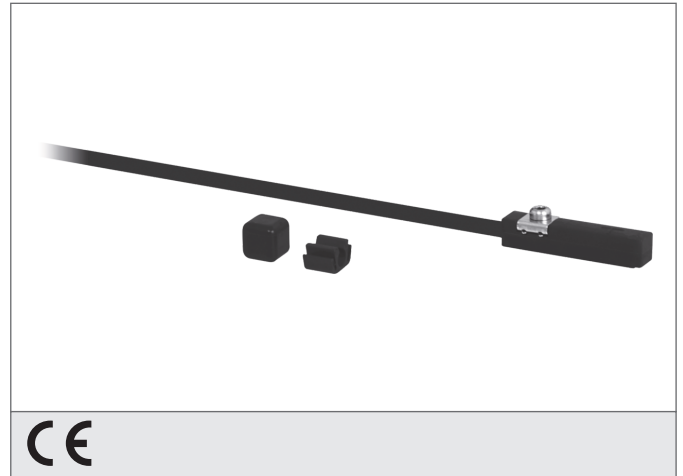


MZET 9-25 PSL-K-TSS

Cylinder Sensor

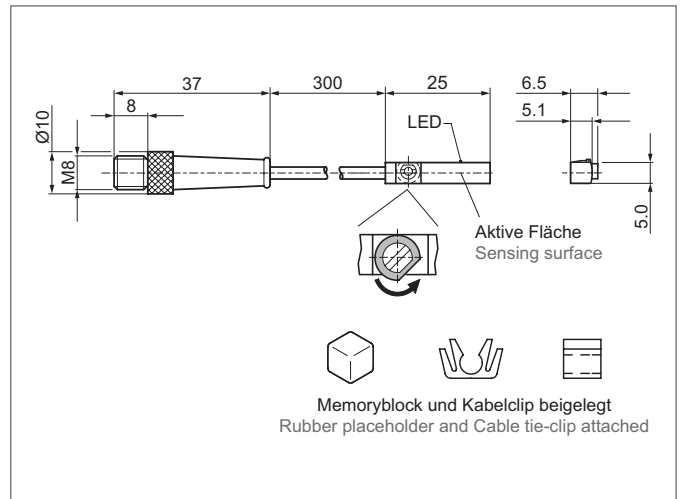
- To be inserted from above
- Compact design
- All-electronically vibration-resistant
- High reproducibility



Safety instructions

The Instruments are not to be used for safety applications, in particular applications in which safety of persons depends on proper operation of the instruments.

These instruments shall exclusively be used by qualified personnel.



TECHNICAL INFORMATION (typ.)		+20°C, 24V DC
Cylinder groove		T-groove, to be inserted from above in the slot
Mounting		excentric
Maximum rating		100 mA, short-circuit-proof, polarity-safe
Service voltage		10 ... 30 V DC
No-load current		10 mA
Switching output		pnp, NO, short circuit protected
Display		LED: yellow - output signal
Voltage drop		< 2,5 V
Switching frequency		10000 Hz
Reproducibility		0,2 mm
Ambient temperature, operation		-25 ... +80 °C
Insulation voltage endurance		500 V
Protection class		IP 67
Protection degree		III, operation on protective low voltage
Casing material		mounting excentric stainless steel
Material		PUR (Cable)
Connection		Cable, Connector, 0,3 m, M8
Connecting cable		TK ...