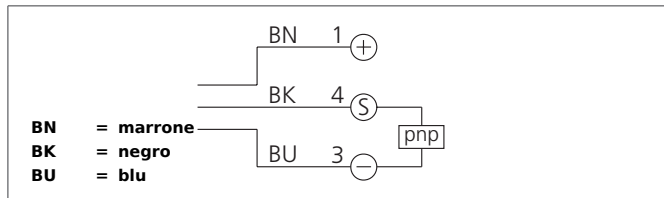


MZEK 25 PSLK/5 Cylinder Sensor

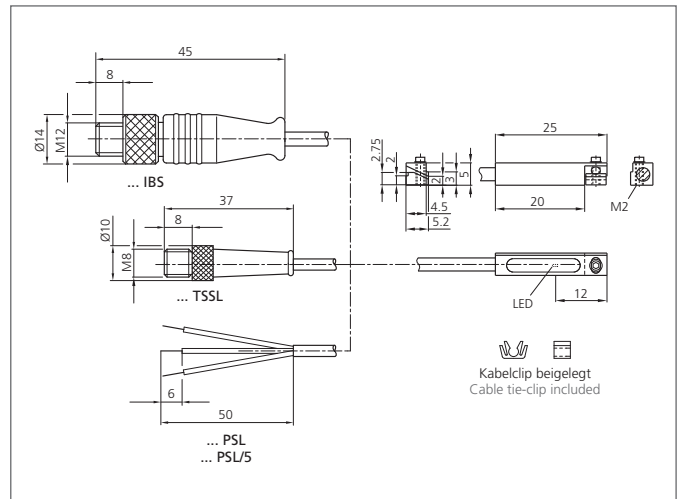
- For pneumatic cylinders with T-shaped slot
- Metal casing
- Clamping block mounting, no pressure marks on the cylinder
- Precise readjustment
- All-electronically
- High protection class
- Mounting accessory available for round, pull-rod and profiled cylinders



Safety instructions

The Instruments are not to be used for safety applications, in particular applications in which safety of persons depends on proper operation of the instruments.

These instruments shall exclusively be used by qualified personnel.



TECHNICAL INFORMATION (typ.)		+20°C, 24V DC
Cylinder groove		T-groove, to be inserted from above in the slot
Mounting		clamping block, allen screw SW 1.5 mm
Maximum rating		200 mA, short-circuit-proof, polarity-safe
Service voltage		10 ... 30 V DC
No-load current		< 10 mA
Switching output		pnp, 200 mA, NO, short circuit protected
Contact rating		6 W max. (30 V, 200 mA)
Display		LED: yellow - output signal
Voltage drop		< 2,0 V
Switching frequency		1000 Hz
Reproducibility		< 0,1 mm
Ambient temperature, operation		-25 ... +70 °C
Insulation voltage endurance		500 V
Protection class		IP 68, (Device and cable), IP 67, (Connector)
Protection degree		III, operation on protective low voltage
Casing material		Die-cast zinc
Material		PUR (Cable)
Connection		Cable, 5,0 m