

## MZEC 9-18 PSL Cylinder Sensor

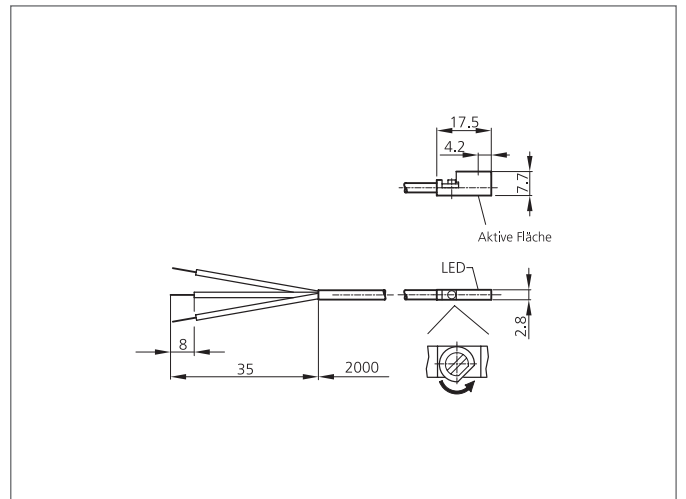
- For pneumatic cylinders with round slot 3.7 mm
- For pneumatic cylinders with round slot 4 mm
- To be inserted from above
- Compact design
- All-electronically vibration-resistant
- High reproducibility
- Mounting accessory available for round, pull-rod and profiled cylinders



### Safety instructions

The Instruments are not to be used for safety applications, in particular applications in which safety of persons depends on proper operation of the instruments.

These instruments shall exclusively be used by qualified personnel.



TECHNICAL INFORMATION (typ.)	+20°C, 24V DC
Cylinder groove	C-groove 3.7 mm, C-groove 4,0 mm, to be inserted from above in the slot
Mounting	excentric
Maximum rating	100 mA, short-circuit-proof, polarity-safe
Service voltage	10 ... 30 V DC
No-load current	10 mA
Switching output	pnp, NO, short circuit protected
Display	LED: yellow - output signal
Voltage drop	< 2,5 V
Switching frequency	10000 Hz
Reproducibility	0,2 mm
Ambient temperature, operation	-25 ... +80 °C
Insulation voltage endurance	500 V
Protection class	IP 67
Protection degree	III, operation on protective low voltage
Casing material	mounting excentric stainless steel
Material	PUR (Cable)
Connection	Cable, 2,0 m