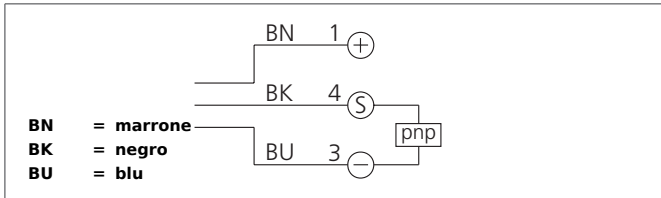


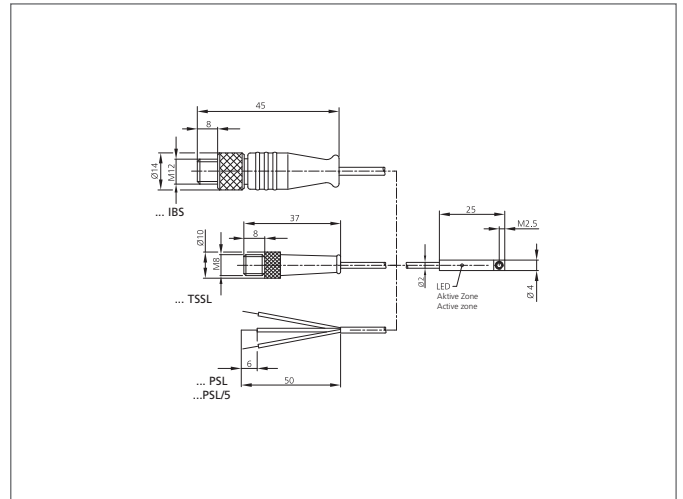
# MZEC 4.0 PSL/5 Cylinder Sensor

- For pneumatic cylinders with round slot 4 mm
- Stainless steel casing
- All-electronically
- High reproducibility
- High protection class



### Safety instructions

The Instruments are not to be used for safety applications, in particular applications in which safety of persons depends on proper operation of the instruments.  
These instruments shall exclusively be used by qualified personnel.



TECHNICAL INFORMATION (typ.)	+20°C, 24V DC
Cylinder groove	C-groove 4,0 mm, mounting in longitudinal direction of slot
Mounting	Locking screw, allen screw 1,3 mm
Maximum rating	200 mA, not short-circuit-proof, polarity-safe
Service voltage	10 ... 30 V DC
No-load current	< 10 mA
Switching output	pnp, 200 mA, NO
Contact rating	3 W max. (30 V, 100 mA)
Display	LED: yellow - output signal
Voltage drop	< 2,0 V
Switching frequency	1000 Hz
Reproducibility	< 0,1 mm
Ambient temperature, operation	-20 ... +70 °C
Insulation voltage endurance	500 V
Protection class	IP 67
Protection degree	III, operation on protective low voltage
Casing material	V2A (1.4301 / AISI 304)
Material	TPU (Cable)
Connection	Cable, 5,0 m, 3 x 0,08 mm <sup>2</sup>