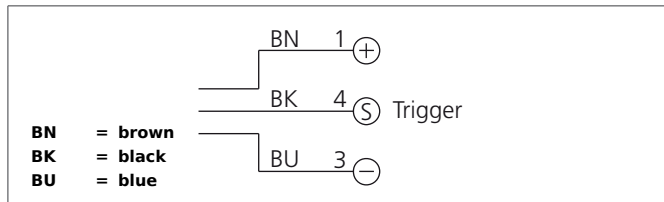


BEK-R33-E5T-K-BS

Ringlight

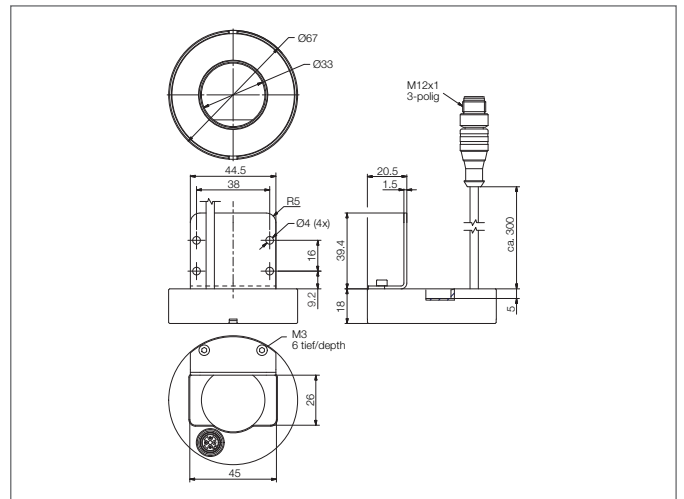
- High-performance flash with integrated flash controller
- Easy mounting on CS 50
- Focus optics and polarizer available as an option
- Y-cable (CS-Y...) available as an option for simple electrical mounting on CS 50
- Automatic trigger signal by Vision Sensor CS 50



Safety instructions

The Instruments are not to be used for safety applications, in particular applications in which safety of persons depends on proper operation of the instruments.

These instruments shall exclusively be used by qualified personnel.



| TECHNICAL INFORMATION (typ.) | +20°C |
|--------------------------------|--|
| Design | Ringlight |
| Light colour | White, 6000 K |
| Emission angle FWHM | 80° |
| Illumination intensity | 51.0 klx (0.1 m), 7.1 klx (0.3 m), 2.5 klx (0.5 m) |
| Service voltage | 22,8 ... 25,2 V DC |
| No-load current | < 10 mA, (Standby), 950 mA, (pulse) |
| Trigger input low level | 0 ... < 2,8 V |
| Trigger input high level | > 3,3 ... 30 V |
| Cycle time | 50 ms |
| Power | 23,0 W (24 V) |
| Inverse polarity protection | Yes |
| Ambient temperature, operation | 0 ... +40 °C |
| Protection class | IP 67 |
| Protection degree | III, operation on protective low voltage |
| Risk group (DIN EN 62471) | Free group |
| Casing material | Aluminium black anodized |
| Material | PMMA, clear (Protection optics) |
| Connection | Cable, 0,3 m, with connector, M12, 3-poled |
| Frequency | 20 Hz (max.) |
| Illumination time / pulse | 2 ms |