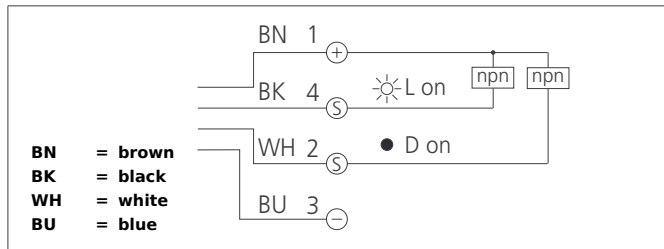
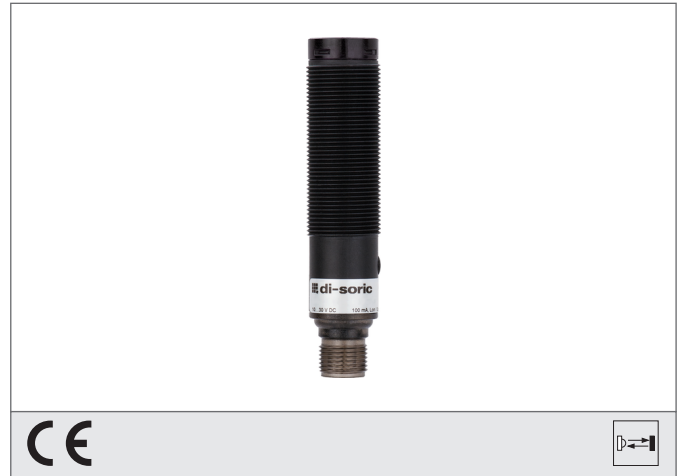


OT 18 K 1000 N4-B4

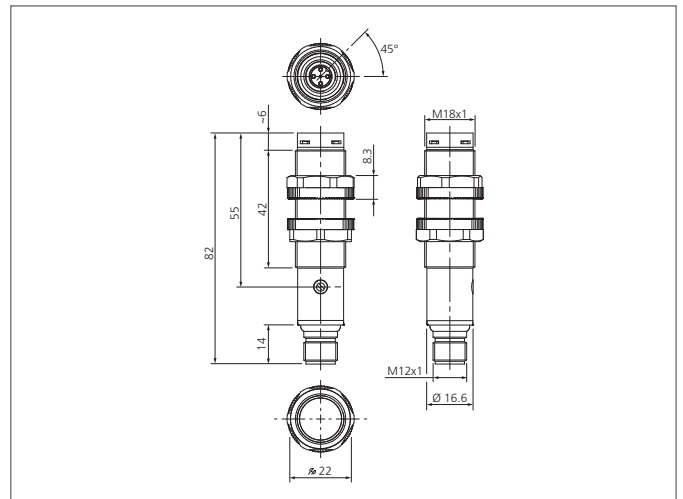
Diffuse Sensor

- Compact design
- Infrared light
- Sensitivity adjustable
- High resolution, operating frequency, functional reserve
- High scanning range
- Antivalent output



Safety instructions

The Instruments are not to be used for safety applications, in particular applications in which safety of persons depends on proper operation of the instruments.
These instruments shall exclusively be used by qualified personnel.



TECHNICAL INFORMATION (typ.)	+20°C, 24V DC
Operating principle	Diffuse reflective sensor
Evaluation	digital
Size	M18 x 1 (thread)
Design	screw
Emitted light	Infrared, 880 nm, clocked
Standardized measuring plate	400 x 400 mm, white
Service voltage	10 ... 30 V DC
No-load current	< 30 mA
background suppression	no
Operating distance	1000 mm
Sensitivity adjustment	potentiometer
Switching output	npn, 100 mA, exclusive OR
Switching hysteresis	< 10 %
Voltage drop	< 2,0 V
Switching frequency	250 Hz
Response-/release time	2,0 ms / 2,0 ms
Ambient temperature, operation	-25 ... +70 °C
Temperature drift	1 mm/K
Ambient light immunity	5 kLx, Halogen light, 10 kLx, Sunlight
Insulation voltage endurance	500 V
Protection class	IP 67
Protection degree	III, operation on protective low voltage
Casing material	plastics (PBT)

OT 18 K 1000 N4-B4
Diffuse Sensor



TECHNICAL INFORMATION (typ.)		+20°C, 24V DC
Material		polycarbonate (Window)
Connection		Connector, M12, 4-poled