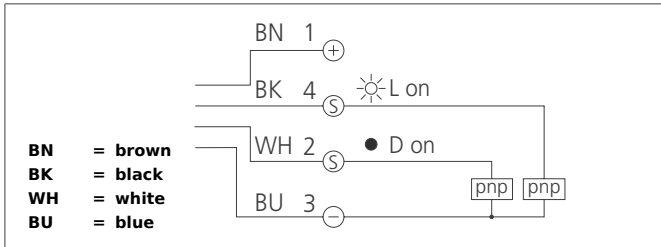
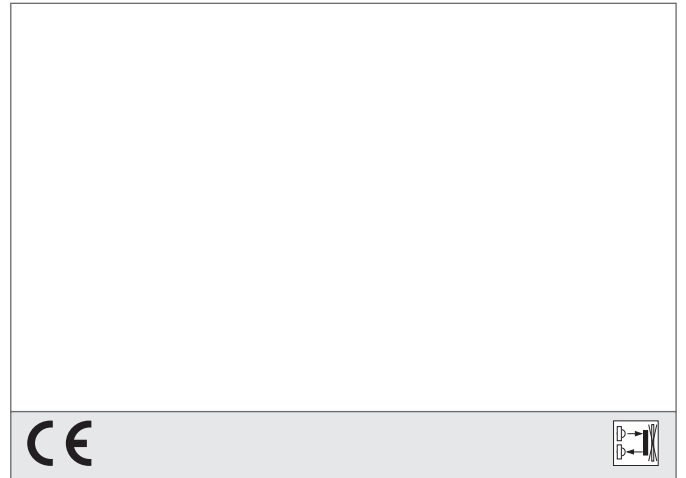


## OH 18-1 K 130 P4-4

### Diffuse Sensor with Background Suppression

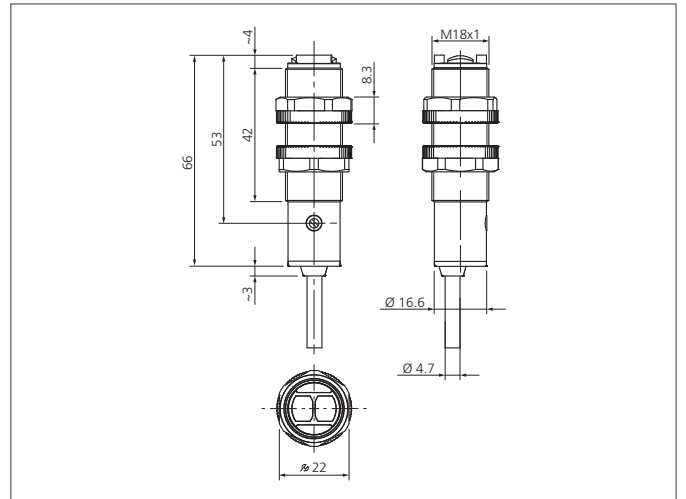
- Compact design
- Red light
- Sensitivity adjustable
- High resolution, operating frequency, functional reserve
- High scanning range
- Antivalent output



#### Safety instructions

The Instruments are not to be used for safety applications, in particular applications in which safety of persons depends on proper operation of the instruments.

These instruments shall exclusively be used by qualified personnel.



TECHNICAL INFORMATION (typ.)	+20°C, 24V DC
Operating principle	Diffuse reflective sensor
Evaluation	digital
Size	M18 x 1 (thread)
Design	screw
Emitted light	Red, 660 nm, clocked
Standardized measuring plate	100 x 100 mm, white
Service voltage	10 ... 30 V DC
No-load current	< 25 mA
background suppression	yes
Operating distance	30 ... 130 mm
Sensitivity adjustment	potentiometer
Switching output	pnp, 100 mA, exclusive OR
Switching hysteresis	< 10 %
Voltage drop	< 2,0 V
Switching frequency	1000 Hz
Response-/release time	0,50 ms / 0,50 ms
Ambient temperature, operation	-25 ... +70 °C
Temperature drift	0.13 mm/K (0.04 mm/K for 60 ... 110 mm)
Ambient light immunity	5 kLx, Halogen light, 10 kLx, Sunlight
Insulation voltage endurance	500 V
Protection class	IP 67
Protection degree	III, operation on protective low voltage
Casing material	plastics (PBT)

## OH 18-1 K 130 P4-4

### Diffuse Sensor with Background Suppression

TECHNICAL INFORMATION (typ.)		+20°C, 24V DC
Material		polymethyl methacrylate (Window) PVC (Cable)
Connection		Cable, 2,0 m, 4-poled, flying leads