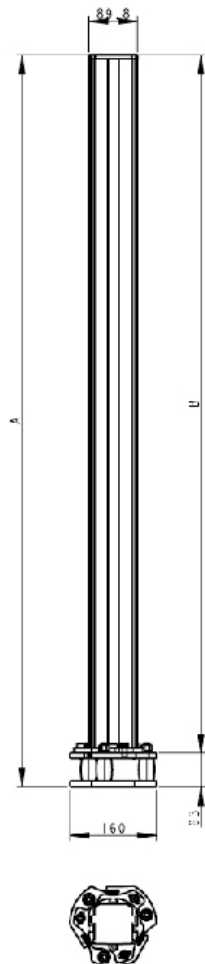
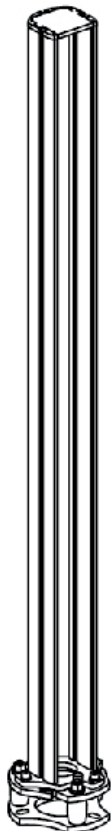


DEVICE COLUMN

YXC-□□□□-F00

DEVICE COLUMN FOR LIGHT CURTAINS AND ACCESS CONTROL BARRIERS



MAIN FEATURES

- Robust protective profile, attractive design
- Special spring elements automatically reset position in case of mechanical impact
- Complete assembly kit for both device and floor mounting included
- Easy to mount: vertical and axial adjustments can be quickly completed in just a few steps

APPLICATION AREA

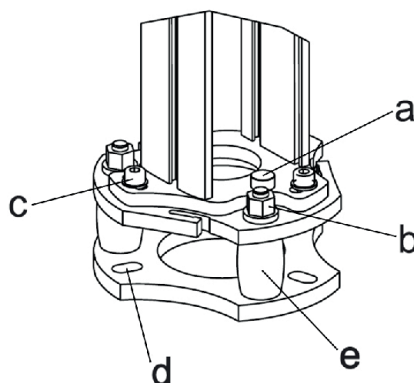
Freestanding floor mounting for safety light curtains and access control barriers, such as Safetinex YBB and YCA models

TECHNICAL DATA

Housing	Aluminum profile housing and steel floor plates
Surface	Powder-varnished, yellow (RAL 1021)

PART REFERENCES / DIMENSIONS

Device column	Total height (A) [mm]	Housing height (B) [mm]	Suitable for
YXC-1060-F00	1060	997	YBB-####-0150-#### to YBB-####-0800-####
YXC-1360-F00	1360	1297	YBB-####-0900-####, YBB-####-1000-####, YCA-####-3400-####, YCA-####-4300-####
YXC-1660-F00	1660	1597	YBB-####-1200-#### to YBB-####-1400-####, YCA-####-3500-####, YCA-####-5300-####, YCA-####-4400-####
YXC-1960-F00	1960	1897	YBB-####-1600-####, YBB-####-1700-####, YCA-####-6300-####



- a = level
- b = vertical adjustment screws
- c = Allen screws to rotate the column
- d = 3 bore holes for floor braces (Ø 10 mm)
- e = plastic spring element with automatic retraction