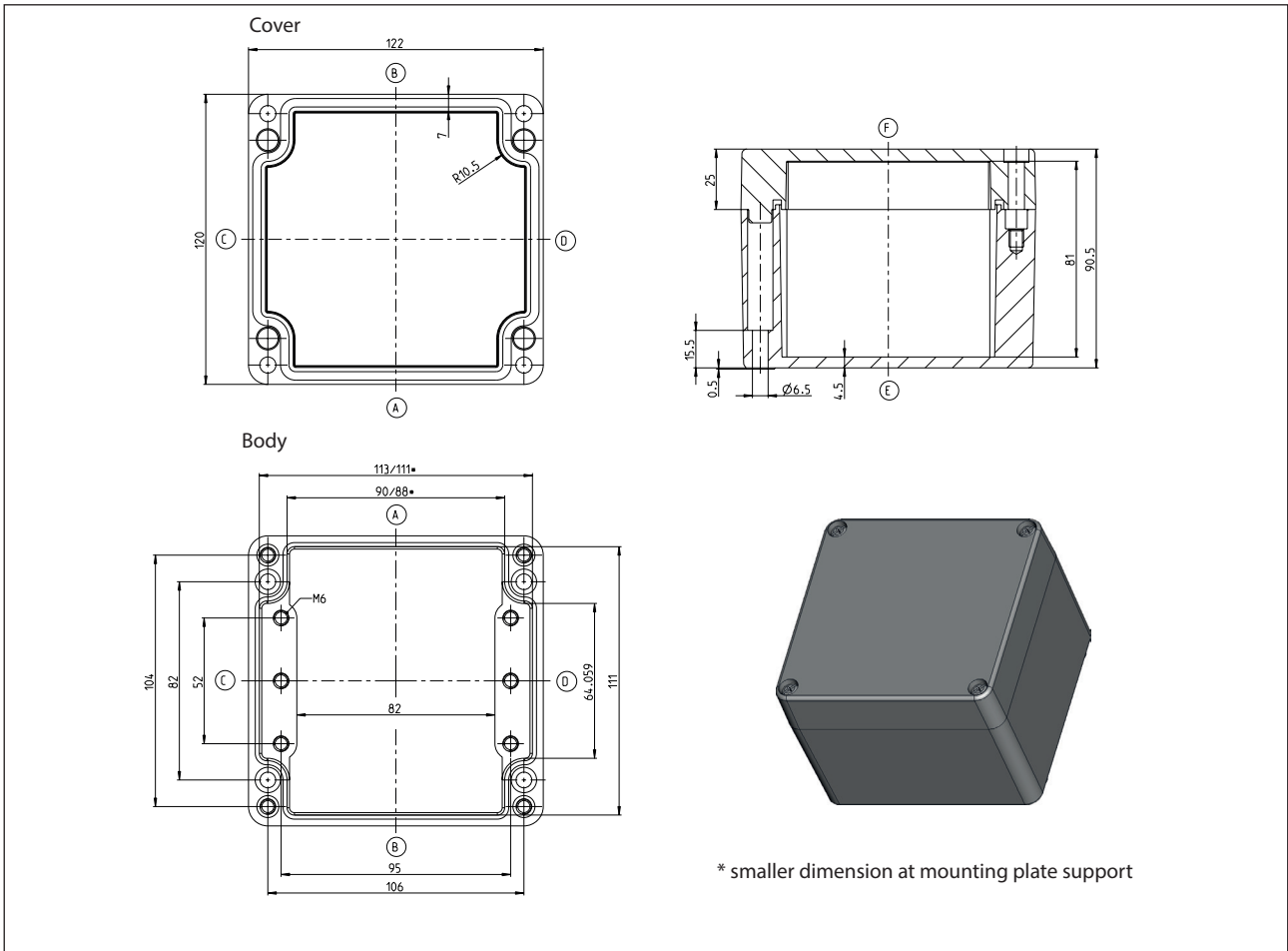


Standard enclosure
Series CPG

Designation CPG-220 **Article number 422000000**




| Standard version | |
|---|--|
| Scope of supply: | |
| Base of enclosure | |
| Enclosure cover | |
| Cover screws (cross recessed head) enclosed loosely | |
| Colour RAL 7001 (silver grey) | |
| Cover gasket PUR (polyurethane) | |
| Individually packaged in foil | |

| Maximum possible number of thread (figures for identical diameter, not mixed!) | | | | | | | | | |
|---|-----|-----|-----|-----|-----|-----|-----|-----|--|
| ISO M | M12 | M16 | M20 | M25 | M32 | M40 | M50 | M63 | |
| Page A/B | 13 | 6 | 4 | 3 | 2 | 1 | 0 | 0 | |
| Page C/D | 6 | 3 | 2 | 2 | 1 | 0 | 0 | 0 | |

Property chart CPG-220

| Specification | Value | According to the standard | Remark |
|---|-----------------------|---------------------------|--|
| General data: | | | |
| Weight | 750 g | | |
| External dimensions | 122 x 120 x 90,5 | | |
| Protection classes | | | |
| IP-code | IP 66 | EN 60529 | |
| IP-code | IP67 | EN 60529 | |
| IK- code | IK08 | IEC 62262 | |
| Material | | | |
| Enclosure | Polyester SMC 0190 | | squirrel grey |
| Screws | A2-70 | DIN EN ISO 3506-1 | Cover screws |
| Spring washer | 1.4310 | DIN EN 10088-3 | |
| Insert nuts | 1.4305 CuZn39Pb3-M | DIN EN 10088-3 | |
| Gasket | PUR (Polyurethan) | | Colour: dark grey, 2-component polyurethane foam seal |
| Toxic behaviour | halogen-free | | |
| Thermal properties: | | | |
| Fire behaviour | | | |
| Flammability | V-0 | UL 94 | Contentwise alike with EC60695-11-10 and IEC60695-11-20 |
| Glow wire test | 960 °C | IEC 60707-3 | |
| Glow wire test | | | |
| Glow wire test | | | |
| Temperature range | | | |
| Enclosure complete | -40 °C bis +100 °C | | |
| Enclosure material | -60 °C bis +165 °C | | |
| PUR-seal | -40 °C bis +100 °C | | |
| Temperature index Enclosure material | | | |
| RTI (tensile strength) | 130 °C | UL 746 B | |
| RTI (impact strength) | 130 °C | UL 746 B | |
| RTI (dielectric strength) | 105 °C | UL 746 B | |
| Ambient temperature according to DIN EN 62208 | | | |
| Indoor application | -5 °C bis +40 °C | DIN EN 62208 | On the average over 24h +35°C |
| Relative humidity according to DIN EN 62208 | | | |
| Indoor application | max. 50% bei +40 °C | DIN EN 62208 | with low temperatures also higher (for ex. 90% at +20°C) |
| Storage temperature | -20 °C bis +60 °C | | |
| Enclosure-specific thermal conductivity value | 2,95 K/W | | taking account of effective dissipation loss |

Property chart CPG-220

| Specification | Value | According to the standard | Remark |
|------------------------------------|----------------------|---------------------------|--|
| Mechanical properties: | | | |
| Torques | | | |
| Cover screws | 2,0 Nm | | |
| Attachment of accessories | 2,0 Nm | | for ex. mounting plates, mounting rails |
| Other mounting | 2,0 Nm | | Screw channel, External mounting brackets |
| Maximum installation weight | 0,9 kg | | |
| Electrical characteristics: | | | |
| Protection class | II | EN 61140 / VDE 0140-1 |  Protection by double or reinforced insulation |
| Rated voltage | max. 750 V | | Maximum length of the extension arm |
| Surface resistivity | 10 ¹² Ohm | IEC 60093 | |
| dielectric strength | 18 kV/mm | IEC 60243-1 | |
| More details: | | | |
| General tolerance | mH | ISO 2768 | |
| Product standard | Yes | DIN EN 62208 | Empty enclosures for low-voltage switchgear assemblies |
| Approvals | | | |
| c UL us | Yes | UL508A / C22,2 | Type 1, 4, 4x |
| Compliances | | | |
| RoHs | Yes | Directive 2011/65/ EU | |
| CE label | Yes | EC-No 765/2008 | |
| Low-Voltage-Directive No.: | 2014/35/EU | | |