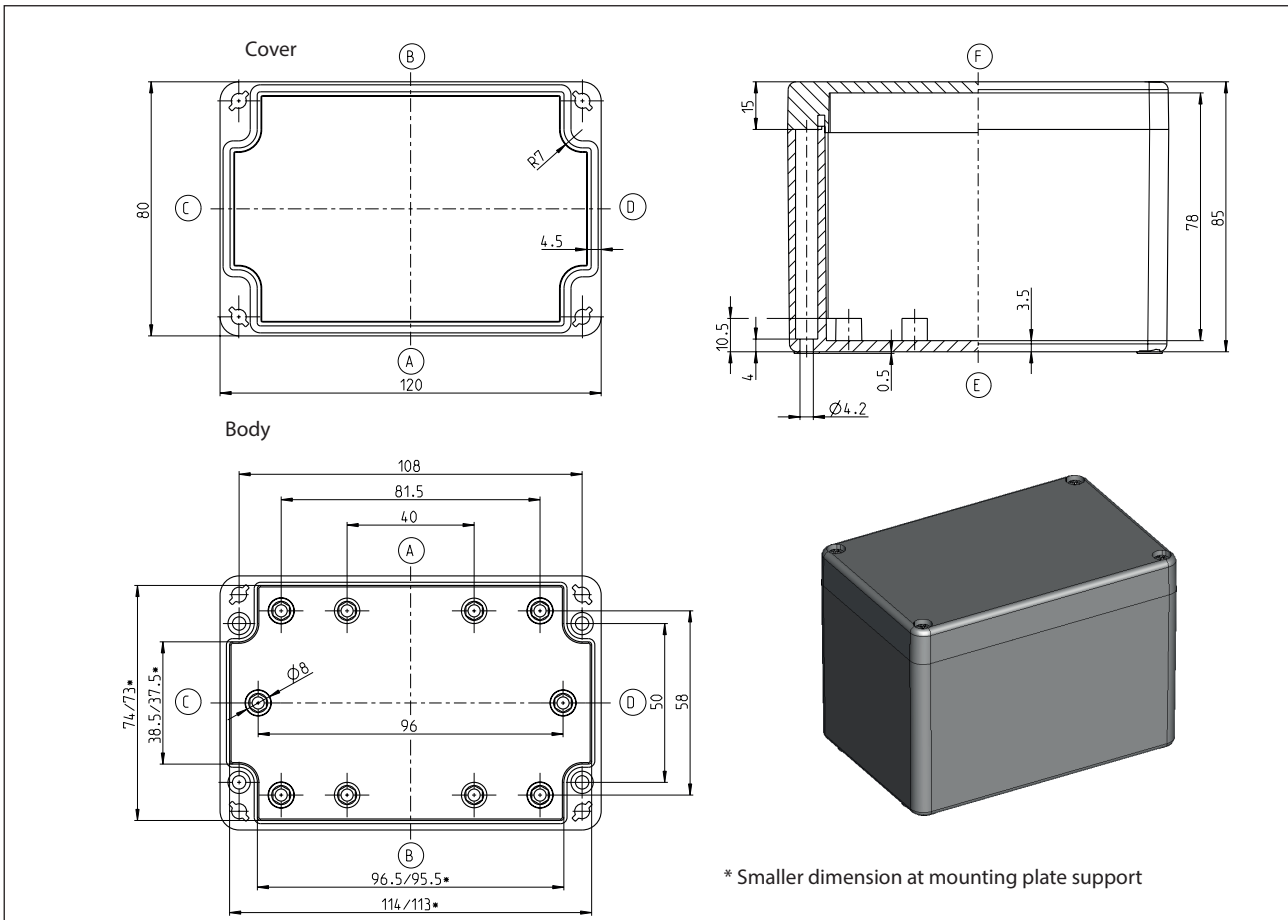


Standard enclosure
Series CT (ABS)

Designation CT-602 ABS

Article number 360000000



Standard version

Scope of supply:


- Base of enclosure
- Enclosure cover
- Quick-release screw (cross recessed head) enclosed loosely
- Colour RAL 7035 (light grey)
- Cover gasket PUR (polyurethane)
- Internal mounting plugs for selftapping screws (are included)
- Individually packaged in foil

Maximum possible number of thread (figures for identical diameter, not mixed!)

| ISO M | M12 | M16 | M20 | M25 | M32 | M40 | M50 | M63 |
|----------|-----|-----|-----|-----|-----|-----|-----|-----|
| Page A/B | 15 | 6 | 6 | 3 | 2 | 1 | 1 | 0 |
| Page C/D | 5 | 2 | 1 | 1 | 1 | 0 | 0 | 0 |

Property chart CT-602

| Specification | Value | According to the standard | Remark |
|---|---------------------|---------------------------|--|
| General data: | | | |
| Weight | 192 g | | |
| External dimensions | 120 x 80 x 85 | | |
| Protection classes | | | |
| IP code | IP 66 | EN 60529 | |
| IK code | IK 07 | IEC 62262 | |
| Material | | | |
| Enclosure | ABS | | light grey |
| Quick-release fastener | 1.4303 | | DIN EN 10088-3 |
| Cross-recessed pan head tapping screws | ST | | galvanised |
| Seal | PUR (Polyurethan) | | Colour: dark grey, 2-component polyurethane foam seal |
| Toxic behaviour | halogen-free | | |
| Thermal properties: | | | |
| Fire behaviour | | | |
| Flammability | HB | UL 94 | Contentwise alike with EC60695-11-10 and IEC60695-11-20 |
| Flame class: | 1,2 mm HB 75 | IEC 60695-11-10 | |
| Flame class: | 1,5 mm HB 75 | IEC 60695-11-10 | |
| Flame class: | 3 mm HB 40 | IEC 60695-11-10 | |
| Temperature range | | | |
| Enclosure complete | -40 °C bis +100 °C | | |
| Enclosure material | -40 °C bis +120 °C | | |
| Seal PUR | -40 °C bis +100 °C | | |
| Temperature index Enclosure material | | | |
| RTI (tensile strength) | 60 °C | UL 746 B | |
| RTI (impact strength) | 60 °C | UL 746 B | |
| RTI (dielectric strength) | 60 °C | UL 746 B | |
| Ambient temperatur according to DIN EN 62208 | | | |
| Indoor application | -5 °C bis +40 °C | DIN EN 62208 | On the average over 24h +35°C |
| Relative humidity according to DIN EN 62208 | | | |
| Indoor application | max. 50% bei +40 °C | DIN EN 62208 | with low temperatures also higher (for ex. 90% at +20°C) |
| Storage temperature | -20 °C bis +60 °C | | |
| Enclosure-specific thermal conductivity value | 4,50 K/W | | taking account of effective dissipation loss |

| Property chart CT-602 | | | |
|------------------------------------|----------------------|----------------------------------|---|
| Specification | Value | According to the standard | Remark |
| Mechanical properties: | | | |
| Torques | | | |
| quick – release screw | 1/4 Rotation | | |
| Attachment of accessories | 1,0 Nm | | for ex. mounting plates, mounting rails |
| Other mounting | 1,0 Nm | | Screw channel, External mounting brackets |
| Maximum installation weight | 0,6 kg | | |
| Electrical characteristics: | | | |
| Protection class | II | EN 61140 / VDE 0140-1 |  Protection by double or reinforced insulation |
| Rated voltage | max. 1000V | | Maximum length of the extension arm |
| Surface resistivity | 10 ¹³ Ohm | IEC 60093 | |
| Dielectric strength | 23 kV/mm | IEC 60243-1 | short-term |
| More details: | | | |
| General tolerance | mH | ISO 2768 | |
| Product standard | Yes | DIN EN 62208 | Empty enclosures for low-voltage switchgear assemblies |
| Approvals | | | |
| c UL us | No | | |
| Compliances | | | |
| RoHs | Yes | Directive 2011/65/EU | |
| CE label | Yes | EC-No 765/2008 | |
| Low-Voltage-Directive No.: | 2014/35/EU | | |