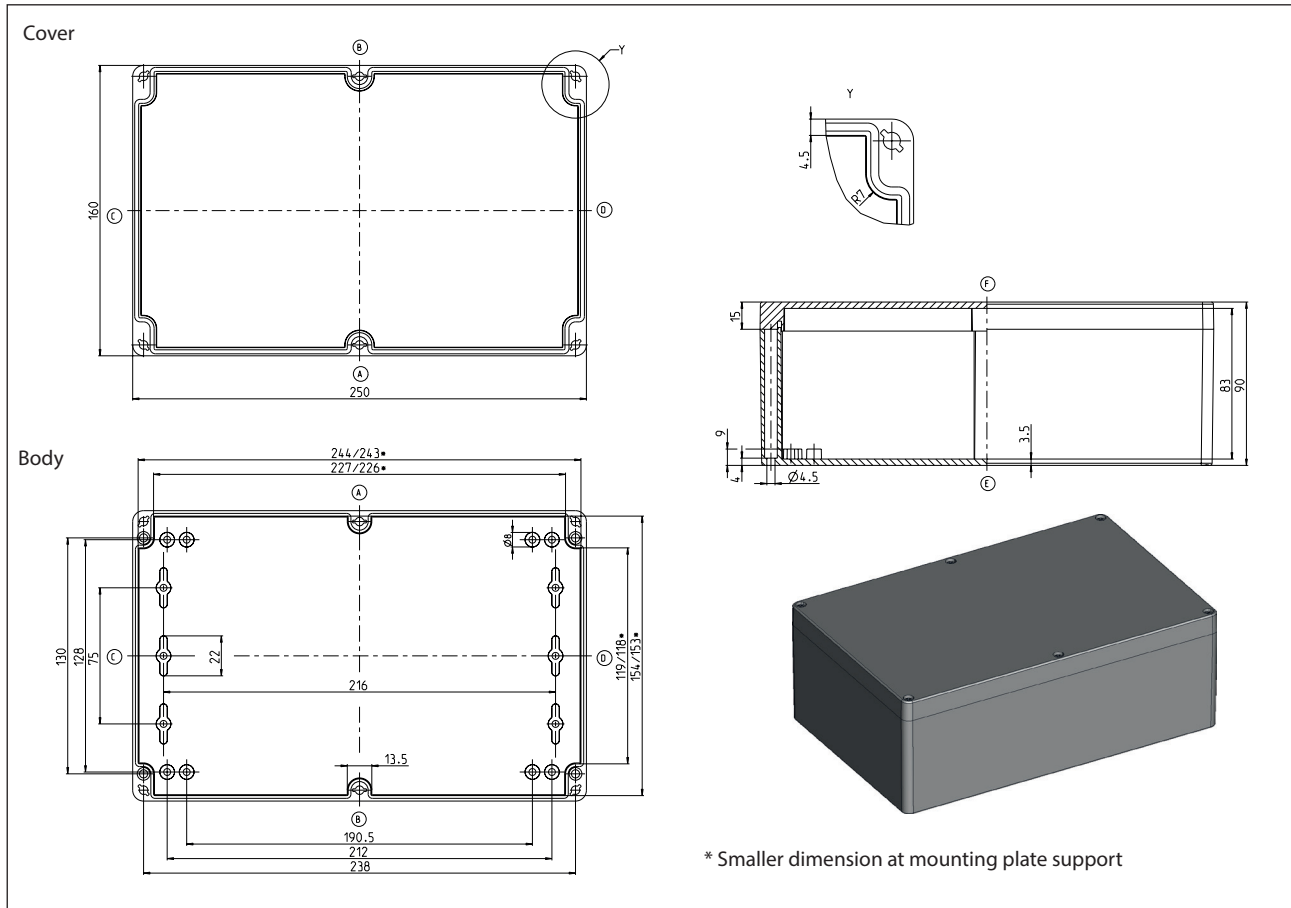


Standard enclosure
Series CT (Polycarbonate)

Designation CT-901 Polycarbonate **Article number 290000000**



Standard version

| |
|---|
| Scope of supply: |
| Base of enclosure |
| Enclosure cover |
| Quick-release screw (cross recessed head) enclosed loosely |
| Colour RAL 7035 (light grey) |
| Cover gasket PUR (polyurethane) |
| Internal mounting plugs for selftapping screws (are included) |
| Individually packaged in foil |


Maximum possible number of thread (figures for identical diameter, not mixed!)

| ISO M | M12 | M16 | M20 | M25 | M32 | M40 | M50 | M63 |
|----------|-----|-----|-----|-----|-----|-----|-----|-----|
| Page A/B | 38 | 16 | 12 | 8 | 4 | 2 | 2 | 2 |
| Page C/D | 17 | 8 | 5 | 3 | 2 | 2 | 1 | 0 |

Property chart CT-901

| Specification | Value | According to the standard | Remark |
|---|---------------------|---------------------------|--|
| General data: | | | |
| Weight | 680 g | | |
| External dimensions | 250 x 160 x 90 | | |
| Protection classes | | | |
| IP code | IP 66 | EN 60529 | |
| IK code | IK 07 | IEC 62262 | |
| Material | | | |
| Enclosure | Polycarbonat (PC) | | light grey |
| Quick-release fastener | 1.4303 | | DIN EN 10088-3 |
| Screws | A2 - 70 | | DIN EN ISO 3506-1 |
| Seal | PUR (Polyurethan) | | Colour: dark grey, 2-component polyurethane foam seal |
| Toxic behaviour | halogen-free | | |
| Thermal properties: | | | |
| Fire behaviour | | | |
| Flammability | V-2 | UL 94 | Contentwise alike with EC60695-11-10 and IEC60695-11-20 |
| glow wire test | 960°C ; 2 mm | IEC 60695-2-12 | |
| glow wire test | 900°C ; 1mm | IEC 60695-2-12 | |
| glow wire test | | | |
| Temperature range | | | |
| Enclosure without a seal | -40 °C bis +120 °C | | |
| Seal PUR | -40 °C bis +100 °C | | |
| Temperature index Enclosure material | | | |
| RTI (tensile strength) | 80 °C | UL 746 B | |
| RTI (impact strength) | 80 °C | UL 746 B | |
| RTI (dielectric strength) | 80 °C | UL 746 B | |
| Ambient temperatur according to DIN EN 62208 | | | |
| Indoor application | -5 °C bis +40 °C | DIN EN 62208 | On the average over 24h +35°C |
| Relative humidity according to DIN EN 62208 | | | |
| Indoor application | max. 50% bei -40 °C | DIN EN 62208 | with low temperatures also higher (for ex. 90% at +20°C) |
| Storage temperature | -20 °C bis +60 °C | | |
| Enclosure-specific thermal conductivity value | 1,88 K/W | | taking account of effective dissipation loss |

Property chart CT-901

| Specification | Value | According to the standard | Remark |
|------------------------------------|----------------------|---------------------------|---|
| Mechanical properties: | | | |
| Torques | | | |
| quick – release screw | 1/4 Rotation | | |
| Attachment of accessories | 1,0 Nm | | for ex. mounting plates, mounting rails |
| Other mounting | 1,0 Nm | | Screw channel, External mounting brackets |
| Maximum installation weight | 2,7 kg | | |
| Electrical characteristics: | | | |
| Protection class | II | EN 61140 / VDE 0140-1 |  Protection by double or reinforced insulation |
| Rated voltage | max. 1000V | | Maximum length of the extension arm |
| Surface resistivity | 10 ¹⁵ Ohm | IEC 60093 | |
| Dielectric strength | 33 kv/mm | IEC 60243-1 | |
| More details: | | | |
| General tolerance | mH | ISO 2768 | |
| Product standard | Yes | DIN EN 62208 | Empty enclosures for low-voltage switchgear assemblies |
| Approvals | | | |
| c UL us | Yes | UL508A / C22,2 | Typ 1, 4, 4x indoor |
| Compliances | | | |
| RoHs | Yes | Directive 2011/65/EU | |
| CE label | Yes | EC-No 765/2008 | |
| Low-Voltage-Directive No.: | 2014/35/EU | | |

Other versions / Accessories

The following information is not a standard. Approvals, compliances and protection classes of these versions upon request.

| Other version CT-901 | |
|--|----------------|
| Description of the modification compared with the standard version | Article number |
| PC, with screw fastener | 2900001000 |

| Possible Accessories / as individual parts or as assembly set | |
|--|----------------|
| Description of the modification compared with the standard version | Article number |
| Mounting plate | 9512187000 |
| Mounting rail TS 15 | - |
| Mounting rail TS 32 | 9821006000 |
| Mounting rail TS 35 | 9822008000 |
| Earthing rail (secured on central bosses C/D) | 9810009000 |
| External mounting brackets | 9802002000 |
| External articulated hinges (mechanical machining of the enclosure required) | 9802025000 |
| Internal articulated hinges (flexible) | 9801076000 |
| Mounting bushes with 4 screws M3 x 8 | 9800040000 |

| Optional seals | | | |
|----------------------------|--------------------|---------------------------|------------|
| Specification | Value | According to the standard | Remark |
| Thermal properties: | | | |
| CR seal | -30 °C bis +80 °C | | IP65 |
| Silicone foam seal | -60 °C bis +130 °C | | on request |
| Silicone complete seal | -60 °C bis +200 °C | | on request |
| EPDM seal | -35 °C bis +100 °C | | on request |
| HF seal | -55 °C bis +125 °C | | on request |