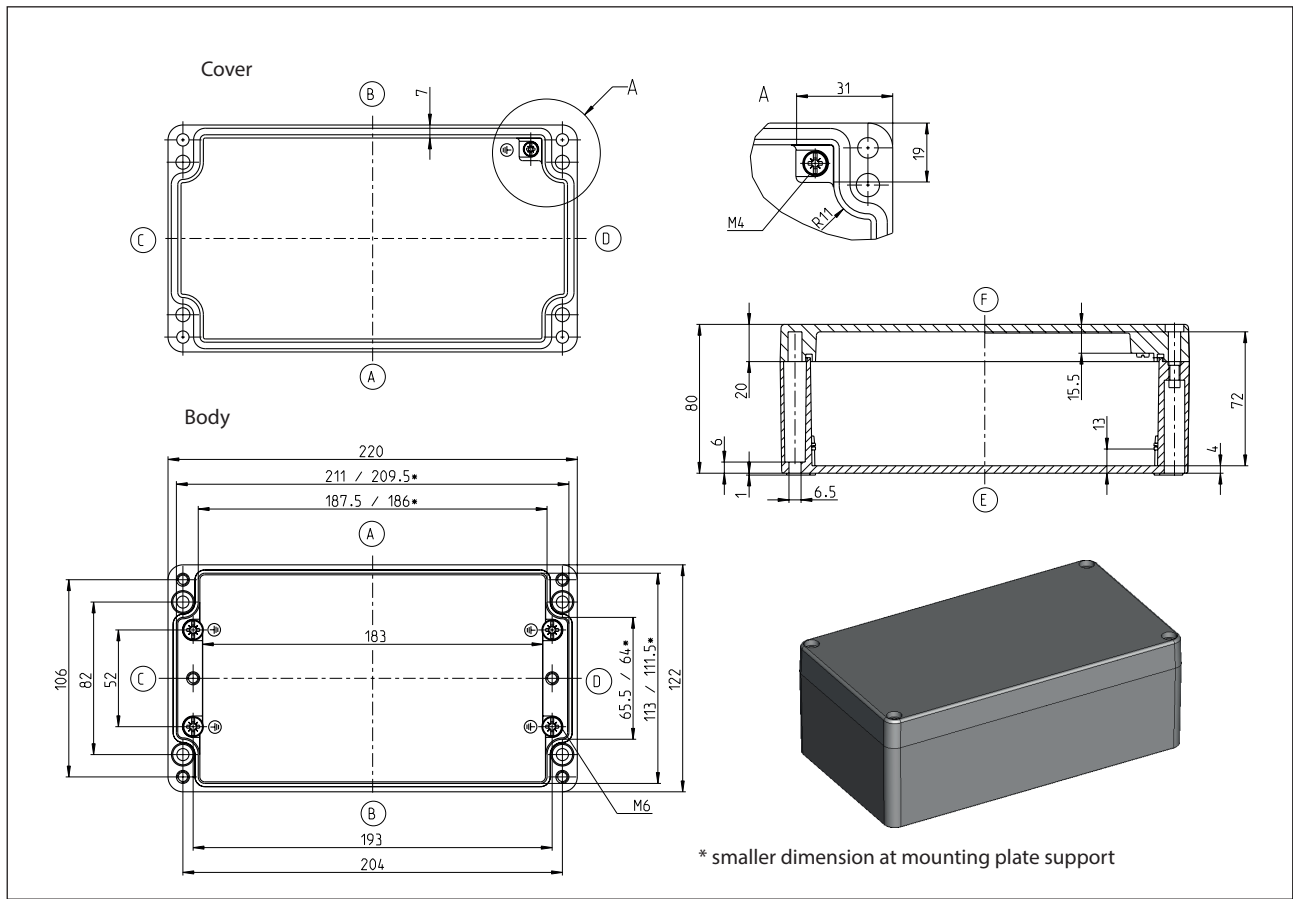


Standard enclosure
Series CA


Designation CA-230 **Article number 123000000**



| Standard version | |
|---|--|
| Scope of supply: | |
| Base of enclosure | |
| Enclosure cover | |
| Cover screws (cross recessed head) enclosed loosely | |
| Earthing screws in the lower part and in the cover | |
| Colour RAL 7001 (silver grey) | |
| Cover gasket PUR (polyurethane) | |
| Individually packaged in foil | |

| Maximum possible number of thread (figures for identical diameter, not mixed!) | | | | | | | | | |
|---|-----|-----|-----|-----|-----|-----|-----|-----|---|
| ISO M | M12 | M16 | M20 | M25 | M32 | M40 | M50 | M63 | |
| Page A/B | 27 | 12 | 8 | 5 | 4 | 0 | 0 | 0 | 0 |
| Page C/D | 5 | 2 | 2 | 1 | 0 | 0 | 0 | 0 | 0 |

| Property chart CA-230 | | | |
|--|---------------------------------|----------------------------------|--|
| Specification | Value | According to the standard | Remark |
| General data: | | | |
| Weight | 1410 g | | |
| External dimensions | 220 x 122 x 80 | | |
| Protection classes | | | |
| IP-code | IP66 | EN 60529 | |
| IP-code | IP67 | EN 60529 | |
| IK-code | IK09 | IEC 62262 | |
| Material | | | |
| Enclosure | EN AC-ALSi12(Fe) EN AC-44300 | DIN EN 1706:05/98 | Aluminium pressure die-casting Alloy 230 |
| Screws | A2-70 | DIN EN ISO 3506-1 | Cover screws |
| Gasket | PUR (Polyurethan) | | Colour: dark grey, 2-component polyurethane foam seal |
| Toxic behaviour | halogen-free | | |
| Mechanical properties: | | | |
| Torques | | | |
| Cover screws | 2,5 Nm | | |
| Earthing screws | 2,5 Nm 2,0 Nm | | Body Cover |
| Attachment of accessories | 2,5 Nm | | for ex. mounting plates, mounting rails |
| Other mounting | 2,5 Nm | | Screw channel, External mounting brackets |
| Maximum installation weight | 1,4 kg | | |
| Thermal properties: | | | |
| Temperature range | | | |
| Enclosure complete | -30 °C bis +80 °C | | Standard powder-coated enclosure |
| PUR-seal | -40 °C bis +100 °C | | |
| Ambient temperature Indoor application | -5°C bis +40°C | DIN EN 62208 | On the average over 24h +35°C |
| Thermal conductivity value | 2,04 K/W | | taking account of effective dissipation loss |
| Relative humidity | | | |
| Indoor application | max. 50% bei +40°C | DIN EN 62208 | with low temperatures also higher (for ex. 90% at +20°C) |
| Storage temperature | -20°C bis +60°C | | |
| Chemical properties: | | | |
| Corrosion resistance | Severity level A | DIN EN 62208/9.13.2.1 | IEC 60068-2-30 and IEC 60068-2-11 |
| Corrosion resistance | Severity level B | DIN EN 62208/9.13.2.2 | IEC 60068-2-30 and IEC 60068-2-11 |
| Resistance lists for enclosure materials and seals see catalog | | | |

| Property chart CA-230 | | | |
|------------------------------------|--------------------------------------|----------------------------------|--|
| Specification | Value | According to the standard | Remark |
| Electrical characteristics: | | | |
| Protection class | I | EN 61140 / VDE 0140-1 |  Protection by protective conductor |
| Rated voltage | max. 1000 V (AC) max. 1500 V (DC) | | |
| More details: | | | |
| General tolerance | GTA 13/5 | DIN 1688 | Cast part tolerances |
| General tolerance | mH | ISO 2768 | Machining tolerances |
| Product standard | Yes | DIN EN 62208 | Empty enclosures for low-voltage switchgear assemblies |
| Approvals | | | |
| c UL us | Yes | UL508A / C22.2 | Typ 1, 4, 4x, 12, 13 |
| Compliances | | | |
| RoHs | compliant | Directive 2011/65/EU | |
| CE label | compliant | EG-Nr. 765/2008 | |
| Low-Voltage-Directive No.: | 2014/35/EU | | |