

# Technical Data

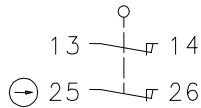
## Rope pull switch

### Series SIEM2

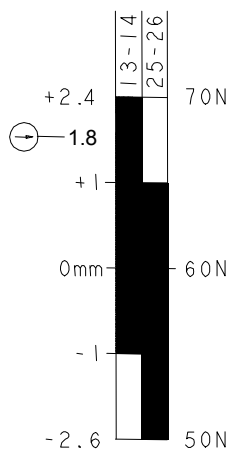
Description **SIEM2-UV1Z**



Article number **6012831022**

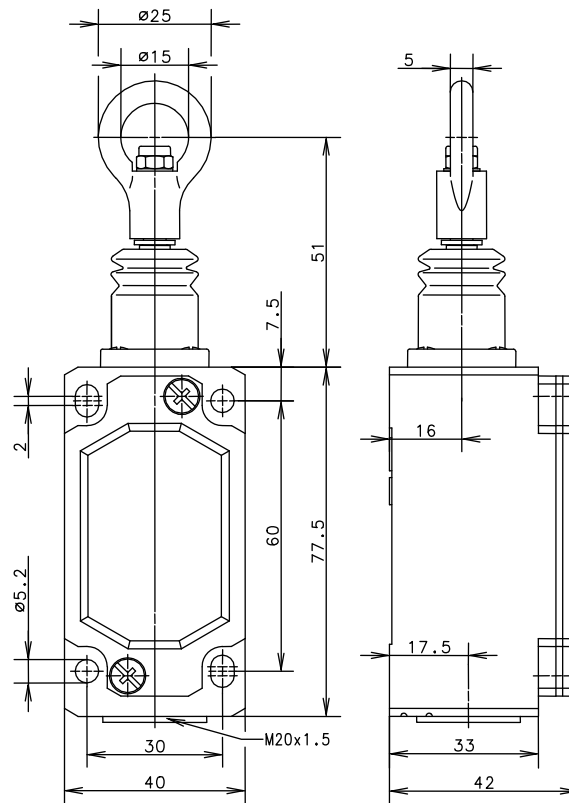
Operating symbol  
(pretensioned installation)



Operating diagram  
(pretensioned installation)



 ON   
  OFF   
 Tolerance  
 tensile force:  $\pm 15\%$



### Electrical data

Rated insulation voltage	$U_i$	400 V AC
Conv. thermal current	$I_{the}$	10 A
Rated operational voltage	$U_e$	240 V
Utilization category		AC-15, $U_e/I_e$ 240 V / 3 A
Direct opening action	$\ominus$	acc. to IEC/EN 60947-5-1, Annex K
Short-circuit protective device		Fuse 10 A gG
Protection class		I

This document will not become the contractual basis; the details included herein do not constitute any descriptions of expected conditions, so that warranties/claims for defects on account of possible variations of the actual qualities from the qualities described herein are explicitly excluded. All rights reserved. Specifications subject to change without notice!

Date of issue: 30.04.2013 / Page 1 of 2  
 Document: 6012831022\_en / Last update: 3 / 2363-13

# Technical Data

## Rope pull switch



<b>Mechanical data</b>	
Enclosure	Al-die cast
Cover	Al-plate
Actuator	Pull ring (Zn-die cast)
Ambient air temperature	-30 °C ... +80 °C
Contact type (not pretensioned installation)	1 NC, 1 NO (Zb)
Mechanical life	1 x 10 <sup>6</sup> operating cycles
Switching frequency	≤ 50 / min.
Assembly	4 x M5
Connection	4 screw terminals (M3,5)
Conductor cross-sections	Solid: 0,5 ... 1,5 mm <sup>2</sup> Litz wire with ferrules: 0,5 ... 1,5 mm <sup>2</sup>
Cable entrance	1 x M20 x 1.5
Weight	≈ 0,22 kg
Installation position	Operator definable
Protection type	IP65 acc. to IEC/EN 60529
<b>ID for safety engineering</b>	
B10d	2 x 10 <sup>6</sup> switching cycles
<b>Standards</b>	
	VDE 0660 T100, DIN EN 60947-1, IEC 60947-1
	VDE 0660 T200, DIN EN 60947-5-1, IEC 60947-5-1
	DIN EN 13849-1
<b>EU Conformity</b>	
	acc. to directive 2006/95/EC
<b>Approvals</b>	
	cCSA <sub>US</sub> A300 (same polarity)
	UL A300
<b>Notes</b>	

The degree of protection (IP code) specified applies solely to a property closed cover and the use of an equivalent cable gland with adequate cable.

This document will not become the contractual basis; the details included herein do not constitute any descriptions of expected conditions, so that warranties/claims for defects on account of possible variations of the actual qualities from the qualities described herein are explicitly excluded. All rights reserved. Specifications subject to change without notice!

Date of issue: 30.04.2013 / Page 2 of 2  
Document: 6012831022\_en / Last update: 3 / 2363-13