

Technical Data

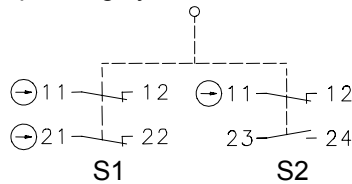
Rope pull switch

Series SRM

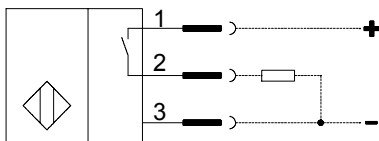
Description **SRM A2Z/U1Z-LU-300-E**

Article number **6012991101**

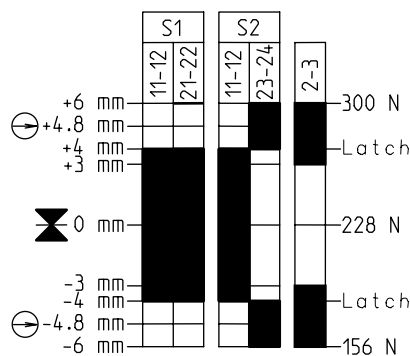
Operating symbol



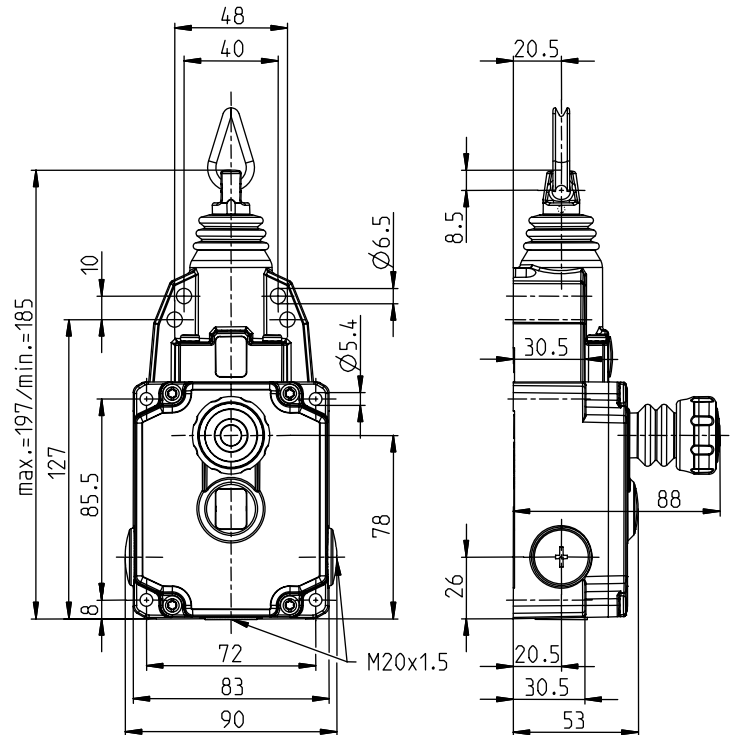
Connection of teleindication for monitoring the ropetension



Operating diagram



Tolerance:
 Operating point $\pm 0,5$ mm
 Actuating force ± 15 %



Electrical data switching elements

Rated insulation voltage	U_i	250 VAC
Conv. thermal current	I_{the}	10 A
Rated operational voltage	U_e	240 V
Utilization category		AC-15, U_e/I_e 240 V / 3 A, U_e/I_e 120 V / 6 A DC-13, U_e/I_e 250 V / 0,27 A, U_e/I_e 125 V / 0,55 A
Direct opening action	\ominus	acc. to IEC/EN 60947-5-1, Annex K
Short-circuit protective device		Fuse 6 A gL/gG
Protection class		I

Electrical data teleindication

Rated operational voltage	U_e	10-30 VDC
Rated operational current	I_e	50 mA
Utilization category		DC-13
Short-circuit protection		yes
False polarity protection		yes
Connection		3-pole screw clamp Conductor cross-section $\leq 1,5$ mm ²

This document will not become the contractual basis; the details included herein do not constitute any descriptions of expected conditions, so that warranties/claims for defects on account of possible variations of the actual qualities from the qualities described herein are explicitly excluded. All rights reserved. Specifications subject to change without notice!

Technical Data

Rope pull switch



Mechanical data	
Enclosure	Al-die cast
Cover	Al-die cast
Actuator	Pull eye (Zn-die cast)
Emergency Stop	PA, glass fibre reinforced
Ambient air temperature	-30 °C ... +80 °C (no freezing over/ no condensation)
Contact type	3 NC, 1 NO (Zb) (2 built-in switches S1+S2)
Latching device	acc. to IEC 60947-5-5, DIN EN 60947-5-5, ISO 13850 (DIN EN 418)
Reset facility	pull of the emergency stop acc. to IEC/EN 60947-5-5
Mechanical life	acc. to IEC 60947-5-5 max. 1×10^5 switching cycles
Rope length	≤ 75 m (depends on the max. temperature variation)
Rope \varnothing	$D = \varnothing 2 - 5$ mm
Switching frequency	≤ 20 /min.
Assembly	4 x M6 oder 4 x M5
Connection	8 screw terminals (M3,5)
Conductor cross-sections	Solid: 0,5 ... 1,5mm ² Litz wire with ferrules: 0,5 ... 1,5mm ²
Cable entrance	3 x M20x1,5
Weight	$\approx 0,77$ kg
Installation position	operator definable
Protection type	IP67 acc. to IEC/EN 60529

Standards	VDE 0660 T100, DIN EN 60947-1, IEC 60947-1 VDE 0660 T200, DIN EN 60947-5-1, IEC 60947-5-1 VDE 0660 T210, DIN EN 60947-5-5, IEC 60947-5-5 ISO 13850
------------------	---

EU Conformity	CE
----------------------	-----------

Approvals	BG cCSA _{US}
------------------	--------------------------

Notes

The degree of protection (IP code) specified applies solely to a property closed cover and the use of an equivalent cable gland with adequate cable.

Maintenance-free installation.
Rope with accessories is available on demand.

This document will not become the contractual basis; the details included herein do not constitute any descriptions of expected conditions, so that warranties/claims for defects on account of possible variations of the actual qualities from the qualities described herein are explicitly excluded. All rights reserved. Specifications subject to change without notice!

Date of issue: 10.05.2011 / Page 2 of 2
Document: 6012991101_en / Last update: 1 / 2232-11