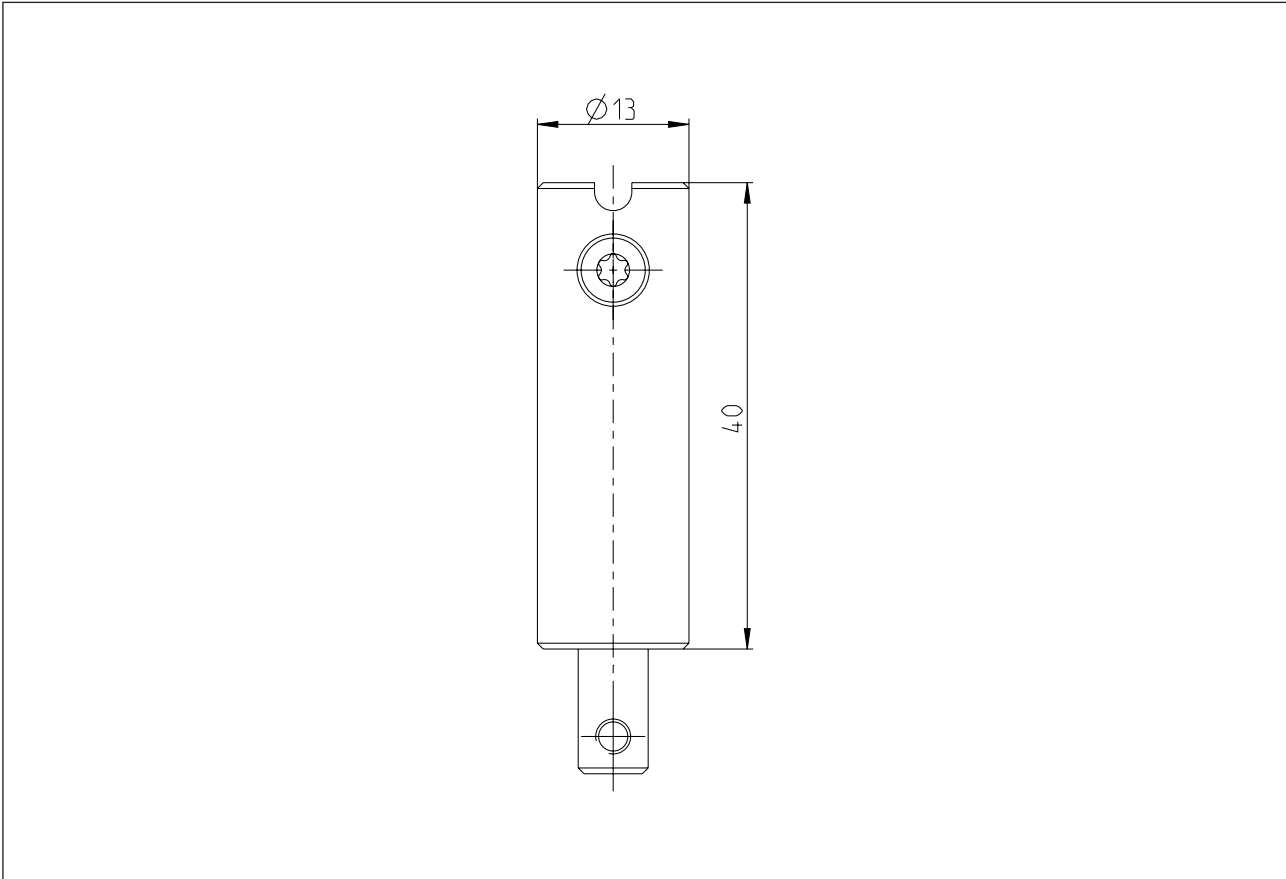


**Accessories**

Series for Safety switches SLC

Description **ESCR-40-1**

Article number **6051201006**



**Mechanical data**

Material Aluminium

**Notes**

This component is only to be used in conjunction with ESCR-B-1.