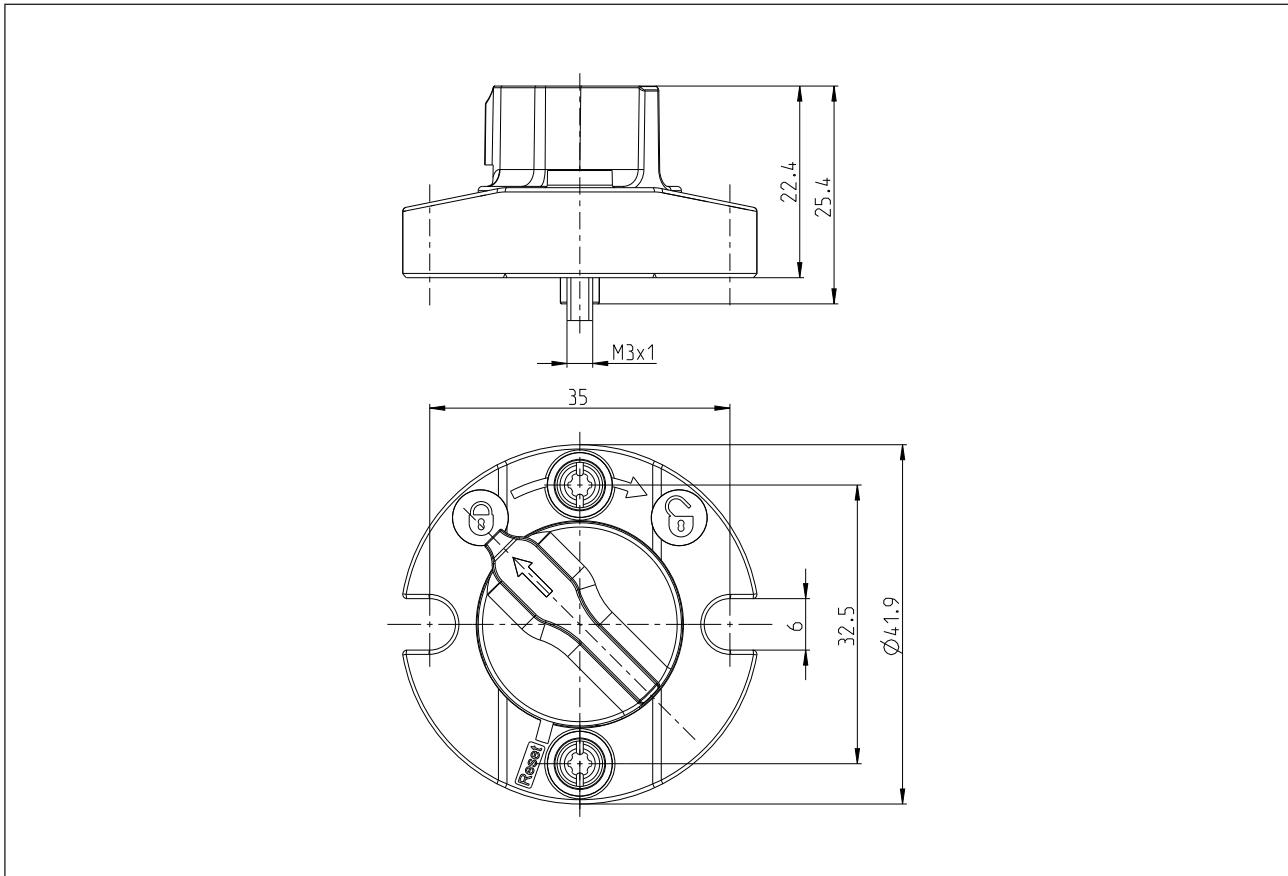


Accessories

Series for Safety switches SLC

Description **EMR-B-1**

Article number **6051101004**



Mechanical data

Material Thermoplastic, glass fibre reinforced (UL94-V0)