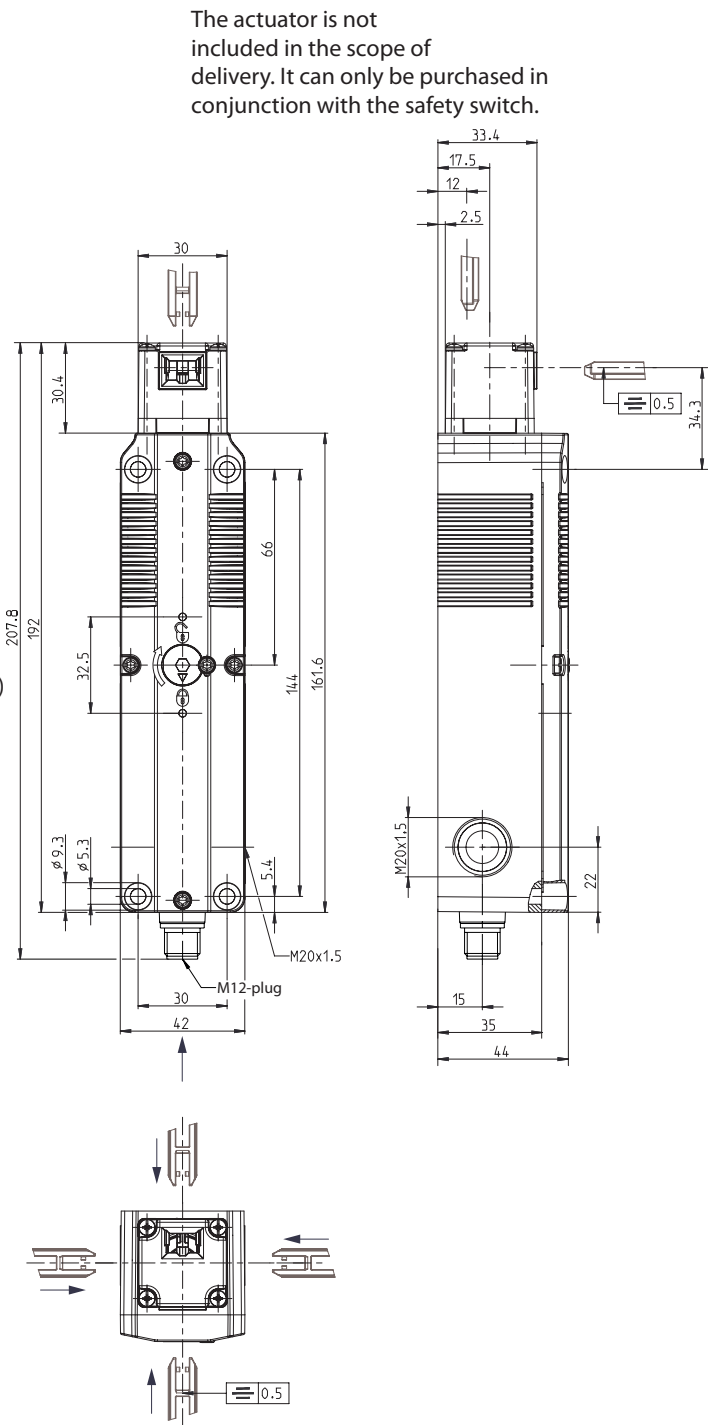


Safety switch Series SLC

Description SLC-F-024-11/10-R4-01	Article number 6018200020
--	----------------------------------

Position monitoring (interlock D / guard lock L)	
<p>Actuator inserted Protective device interlocked and guard locked</p>	<p>Actuator inserted Protective device interlocked and not guard locked</p>
<p>without current</p>	<p>with current</p>
<p>Pin 8- E1 E2 -Pin 7 Pin 2- 13 14 D -Pin 5 Pin 6- 21 22 -Pin 3 Pin 1- 31 32 -Pin 4 -- 43 44 L --</p>	<p>Pin 8- E1 E2 -Pin 7 Pin 2- 13 14 D -Pin 5 Pin 6- 21 22 -Pin 3 Pin 1- 31 32 -Pin 4 -- 43 44 L --</p>
<p>Actuator withdraw Protective device not interlocked and not guard locked</p>	<p>Plug (In the direction of the arrow)</p> <p>with or without current</p>
<p>Pin 8- E1 E2 -Pin 7 Pin 2- 13 14 D -Pin 5 Pin 6- 21 22 -Pin 3 Pin 1- 31 32 -Pin 4 -- 43 44 L --</p>	



Electrical data	
Protection class	II, totally insulated
Contact elements	
Rated insulation voltage	U_i 30 V
Rated impulse withstand voltage	U_{imp} 800 V
Rated operational voltage	U_e 24 V AC / DC
Conv. thermal current	I_{the} 2 A
Utilization category acc. to IEC	DC-13, U_e / I_e 24 V / 1,5 A
Utilization category acc. to UL / CSA	B300 R300 general use M12 connector 24 V / 1,5 A
Direct opening action	⊖ according to IEC/EN 60947-5-1, Annex K
Short-circuit protective device	2 A gG
Rated conditional short-circuit current	400 A
Electro magnet	
Duty cycle	100 % ED (at E1; E2)
Temperature class	F (155 °C)
Permanent power consumption	6,7 VA (W)
Switch operations permanent	600 / h
Operating voltage	24 V AC / DC (+10 % / -15 %)

Mechanical data	
Enclosure	Thermoplastic, glass fibre reinforced (UL 94-V0)
Cover	Thermoplastic, glass fibre reinforced (UL 94-V0)
Actuating head	Thermoplastic, glass fibre reinforced / Zn-GD
Actuator	Separate actuator
Minimum actuating radius	R_{min} see separate actuators data sheet
Velocity for actuating	V_{max} 0,5 m/s
Extraction force	≤ 10 N
Interlocking principle	Spring force
Unlocking	a) magnetic force b) auxiliary release from front and back side
Hold on force	F_{Zh} 1500 N (EN ISO 14119)
Ambient air temperature	-25 °C ... +55 °C
Contact type	Interlock (D): 1 NC, 1 NO Guard lock (L): 1 NC
Switching principle	4 slow make and break contact elements
Mechanical life	1 x 10 ⁶ switching cycles
Assembly	4 x M5
Connection	Plug connector, M12-plug, 8-pin, A-coded, DIN EN 61076-2-101
Conductor cross-sections	0,34 ... 1,5 mm ² flexible
Cable entrance	2 x M20 x 1,5
Weight	≈ 0,50 kg
Installation position	operator definable
Protection type	IP67 acc. to IEC/EN 60529 ; (UL 50 E / CSA C22.2) Type 6 indoor use

ID for safety engineering	
B10d	2 x 10 ⁶ cycles

Standards	
	DIN EN 60947-5-1
	UL 508 18th Edition, CSA-C22.2 No.14-18
	GS-ET-19 (DGUV)
	DIN EN ISO 14119
	DIN EN ISO 13849-1

EU Conformity	
	acc. to directive 2006/42/EC (Safety-of-Machinery-Directive)

Approvals	
	DGUV (in preparation)
	cCSA _{US}
	CCC

Notes
<p>The degree of protection specified (IP code) applies only to a properly closed cover and the use of an equivalent connector and when required the use of an equivalent cable gland with adequate cable.</p> <p>The connector and the cable (fix or flexible mounted) must at least be suitable for the described ambient air temperatures.</p> <p>The connector must not be connected or disconnected when voltage is applied.</p> <p>The mechanical life of the connector is 100 connection cycles.</p> <p>Suitable connector and cable must be used to meet approval requirements.</p> <p>The switch may not be used as a mechanical stop.</p> <p>When power is removed from the electromagnet (solenoid) the safety guard will be in locked position.</p>