

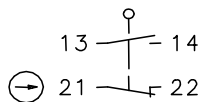
# Metal bodied limit switch

## Series GC

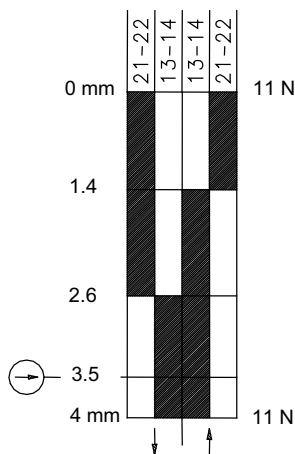
Description **GC-SU1Z RIW**

Article number **6021367626**

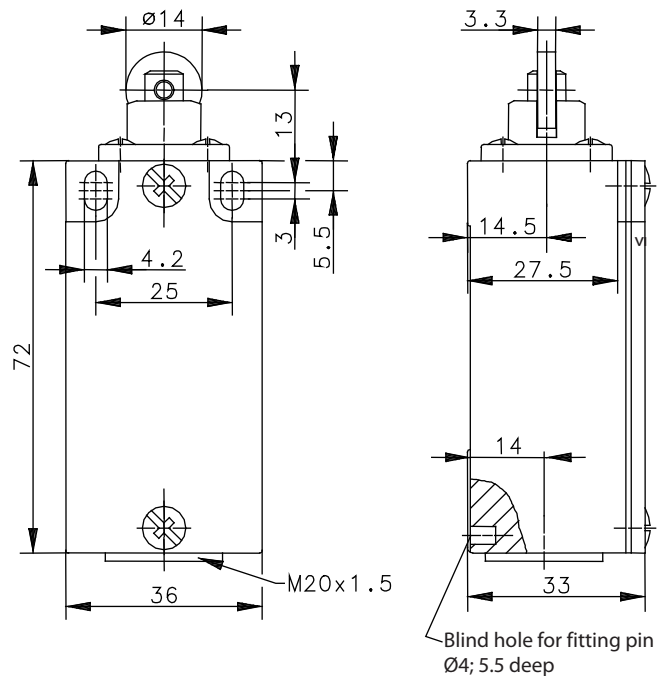
### Operating symbol



### Operating diagram



On  
 Off  
 Tolerance:  
 Operating point  $\pm 0,25$  mm;  
 Actuating force  $\pm 10$  %



### Electrical Data

Rated insulation voltage	$U_i$	400 V AC
Conv. thermal current	$I_{the}$	10 A
Rated operational voltage	$U_e$	240 V
Utilization category		AC-15, $U_e/I_e$ 240 V / 3 A
Direct opening action	$\ominus$	acc. to IEC/EN 60947-5-1, annex K
Short-circuit protective device		Fuse 2 A gG
Protection class		I

