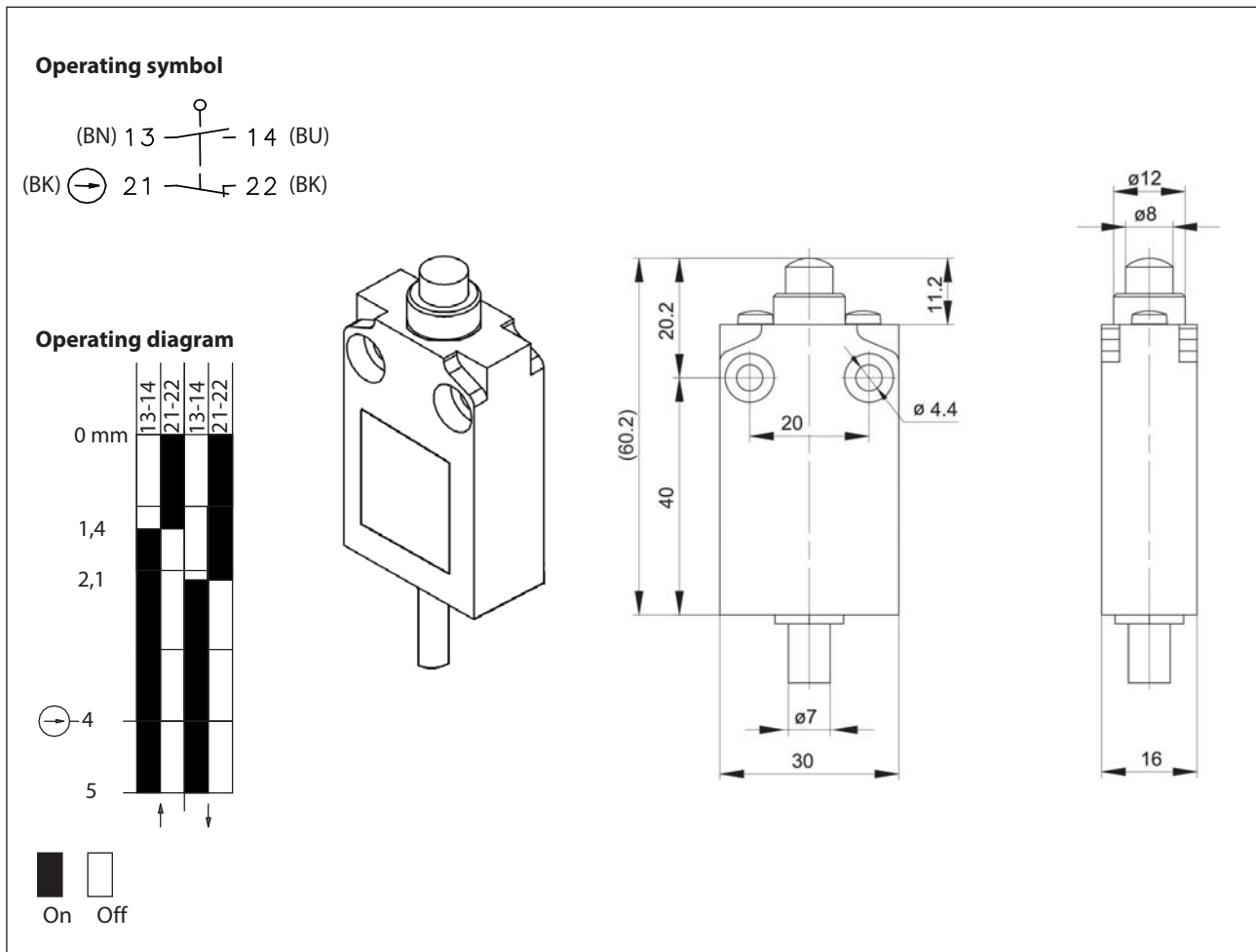


Plastic bodied limit switch Series I49

Description **I49-SU1Z IW Z**

Article number **6089152058**



Electrical Data

| | |
|--|---|
| Rated insulation voltage acc. to DIN EN 60947-1 acc. to UL 508 and CSA C22-2 n° 14 | U_i 400 V (degree of pollution 3) B300, R300 |
| Conv. thermal current acc. to DIN EN 60947-5-1) 0 < 40 °C | I_{the} 10 A |
| Rated operational voltage | U_e 240 V |
| Utilization category | AC-15, 24 V - 10 A / 240 V - 3 A DC-13, 24 V - 2.8 A / 125 V - 0.22 A / 250 V - 0.27 A |
| Direct opening action | $\left(\rightarrow\right)$ acc. to IEC/EN 60947-5-1 |
| Short-circuit protective device $U_e < 500$ V a.c. - gG type fuses | Fuse 10 A gG |
| Protection class | II, totally insulated |

| Mechanical data | |
|-----------------------------|--|
| Enclosure | Pre-wired, Double insulation, Plastic Casing IP67, 30 mm width (polymeric) |
| Actuator | Plunger (nikel-plated) |
| Ambient air temperature | |
| -during operation | -25 °C ... +70 °C |
| -for storage | -40 °C ... +70 °C |
| Contact type | Snap action, 1 NO, 1 NC |
| Mechanical life | 10 x 10 ⁶ switching cycles |
| Switching frequency | 60 / min |
| Velocity for actuating | 0,5 m/s |
| Resistance between contacts | < 25 mΩ |
| Connection | PVC 4 x 0,75 mm ² UL cable, 1m length |
| Installation position | All positions are authorized |
| Protection type | IP67 acc. to IEC/EN 60529 |

| Standards | |
|-----------|------------------|
| | DIN EN 60947-1 |
| | DIN EN 60947-5-1 |

| EU Conformity | |
|---------------|------------------------------|
| | acc. to directive 2006/95/EC |

| Approvals | |
|-----------|-------------------|
| | cUL _{US} |

| Notes | |
|-------|---|
| | Type 1 enclosure ("indoor use only") acc. to UL50 |