

Safety switch

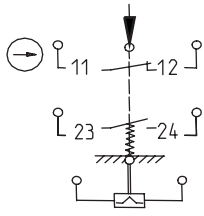
Series SGS

Description **SGS-SU1Z W F6 230V**

Article number **6010153027**

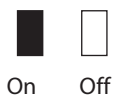
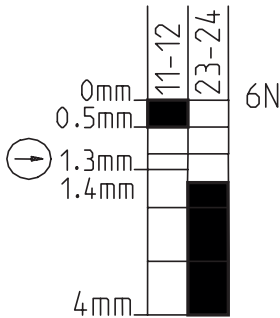
Operating symbol

Termination electromagnet with contact position

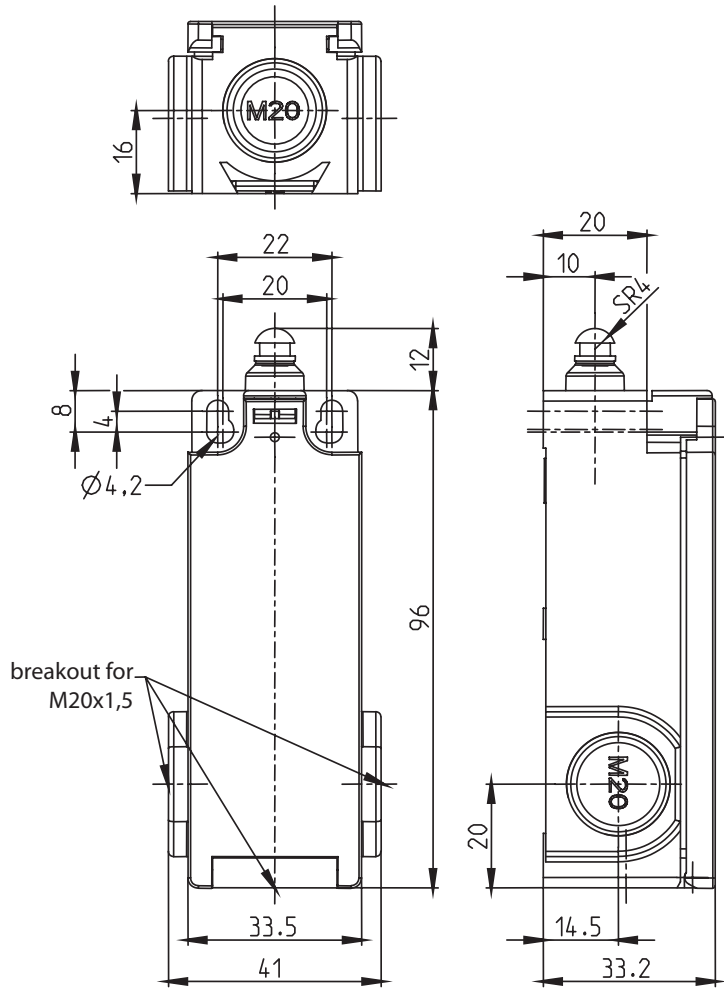


Operating diagram

(Return by E-magnet)



Tolerances:
 Operating point $\pm 0,3$ mm;
 Operating force ± 2 N



Fixed positioning for safety applications
 Mounting screw M5 according to DIN EN ISO 4762

Elektrische Daten		
Electrical data		II, totally insulated
Protection class		
Contact elements	U_i	250 V AC
Rated insulation voltage	I_{the}	10 A
Conv. thermal current		AC-15, U_e / I_e 240 V / 3 A
Utilization category		DC-13, U_e / I_e 250 V / 0,27 A
Min. Voltage		24 V
Min. Current		5 mA
Direct opening action	⊖	according to IEC/EN 60947-5-1, Annex K
Short-circuit protective device		Fuse 4 A gG
Electro magnets		
		without recovery diode
Temperature class		B (130 °C)
Rated operational voltage	U_e	230 V AC
Operational voltage range	U_B	-15 % ≤ U_e ≤ +10 %
Rated operational current	I_e	0,23 A -15 %
On-Time	ED	3 %
Min. On-Time	T_i	0,2 s
Max. On-Time	T_e	10 s
Min. Off-Time	T_p	180 s

Mechanical data		
Enclosure		Thermoplastic GV self-extinguishing
Cover		Thermoplastic GV self-extinguishing
Actuating		Plunger (thermoplastic)
Velocity for actuating	V_{max}	0,5m/s
Ambient air temperature		-25 °C ... +50 °C
Contact type		1 NC, 1 NO (Zb)
Switching principle		Magnetic snap action, bistable
Mechanical life		5 x 10 ⁴ operating cycles
Assembly		2 x M4 / 2 x M5 for safety applications
Connection - contact elements		4 screw terminals (M3,5)
Conductor cross-sections		Solid: 0,5 ... 1,5 mm ² Litz wire with ferrules: 0,5 ... 1,5 mm ²
Connection - Electro magnets		2x butt connector similar to DIN 46341 (crushing zone 0,5 – 1,5 mm ²)
Cable entrance		3x M20x1,5 breakout, left, right and upside
Installation position		Operator definable
Contact opening		2 x >2 mm
Protection type		IP65 acc. to IEC/EN 60529

ID for safety engineering	
B10d	1 x 10 ⁵ cycles

Actuation	
Actuation only in plunger direction	

Standards	
	VDE 0660 T100, DIN EN 60947-1, IEC 60947-1
	VDE 0660 T200, DIN EN 60947-5-1, IEC 60947-5-1
	DIN EN ISO 13849-1
	DIN EN 81-1; 81-2; 81-20

EU Conformity	
	acc. to directive 2014/35/EU (Low-Voltage-Directive)

Approvals	
	TÜV SÜD
	cCSAus A300 (same polarity)
	CCC

Notes	
<p>1x cable gland M20x1,5 provided. The degree of protection specified (IP code) applies only to a properly closed cover and the use of an equivalent cable gland with adequate cable. The switch may not be used as a mechanical stop.</p>	