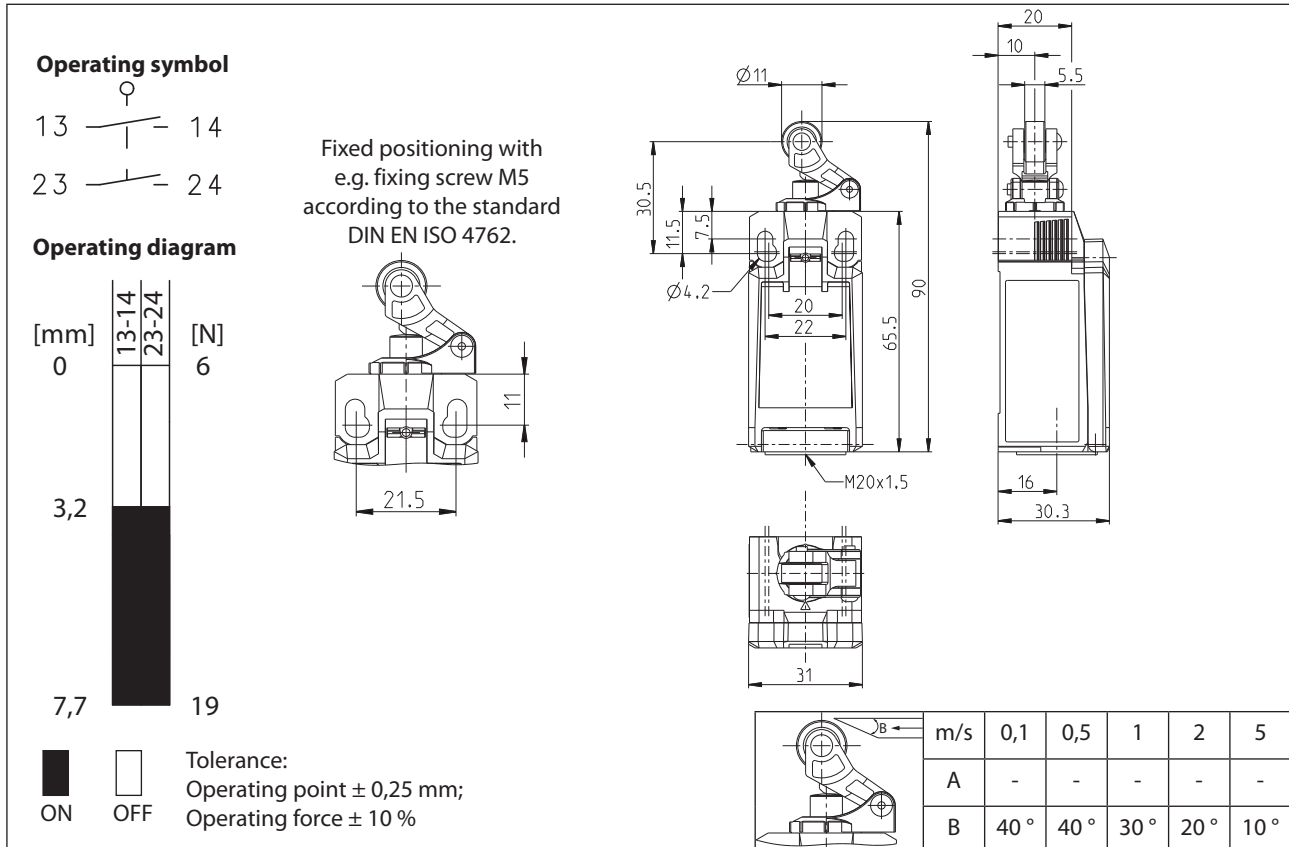


## Plastic bodied limit switch Series IN65

Description **IN65-E2 HK**

Article number **6083000226**



### Electrical Data

|   |           |   |
|---|-----------|---|
| Rated insulation voltage                | $U_i$     | 400 V AC  |
| Rated impulse withstand voltage         | $U_{imp}$ | 4 kV  |
| Rated operational voltage               | $U_e$     | 240 V   |
| Rated supply frequency AC               |           | 50 / 60 Hz  |
| Overvoltage category                    |           | II acc. EN 60947-1 annex H table H1                         |
| Conv. thermal current                   | $I_{the}$ | 5 A   |
| Minimum current                         |           | 1 mA  |
| Utilization category                    |           | AC 15, $U_e/I_e$ 240 V / 3 A<br>DC 13, $U_e/I_e$ 24 V / 4 A |
| Short-circuit protective device         |           | Fuse 4 A gG   |
| Rated conditional short-circuit current |           | 400 A   |
| Max. contact resistance                 |           | 25 mOhm (unused)  |

| Mechanical data                    |   |
|------------------------------------|---|
| Enclosure                          | Thermoplastic, glass fibre reinforced (UL 94-V0)  |
| Cover                              | Thermoplastic, glass fibre reinforced (UL 94-V0)  |
| Actuator                           | Lever with roller (Thermoplastic)   |
| Actuating force                    | $F_B$ 10 N $\leq F_B \leq$ 30 N   |
| Operating temperature              | -30 °C ... +75 °C   |
| Storage temperature                | -40 °C ... +80 °C   |
| Protection type                    | IP66 / IP67 acc. EN 60529   |
| Pollution degree (built-in switch) | 3   |
| Contact material                   | silver  |
| Device Class (built-in switch)     | Category E (MC3+CC2+SC1) acc. EN 60947-1 annex Q  |
| Contact type                       | 2 N.O. (Form Zb)  |
| Operating rate                     | $V$ 0,06 m/min $\leq V \leq$ 30 m/min   |
| Bounce duration                    | ms The value depends on the operating rate.   |
| Switchover time                    | ms The value depends on the operating rate.   |
| Switching frequency                | $\leq$ 60 / min.  |
| Mechanical life                    | 10 x 10 <sup>6</sup> operating cycles   |
| Mission time                       | $\leq$ 20 years   |
| Connection                         | 4 screw connections (M3)  |
| Conductor cross-sections           | Solid or Litz wire with ferrules 0,34 mm <sup>2</sup> - 1,5 mm <sup>2</sup> ; AWG 22-16 |
| Cable entrance                     | 1 x M20 x1,5  |
| Weight                             | $\approx$ 0,08 kg   |
| Installation position              | operator definable  |

| Actuation  |
|--|
| The actuating device is preferably started from 1 side.<br>By lifting the clamp the actuation assembly can be rotated in 45° increments such that 8 actuation directions are possible.<br>The actuation assembly is to be again fastened to the housing by lowering the clamp. |

| Standards                                      |
|--|
| VDE 0660 T200, DIN EN 60947-5-1, IEC 60947-5-1 |
| UL 508 / CSA C22.2 No.14                       |

| EU Conformity  |
|--|
| acc. to directive 2014/35/EU (Low-Voltage-Directive) |

| Approvals   |
|---|
| CCC (AC 15, U <sub>e</sub> /I <sub>e</sub> 240 V / 1,5 A; DC 13, U <sub>e</sub> /I <sub>e</sub> 24 V / 1,5 A) |
| cCSA <sub>US</sub> B300, 240Vac 1.5A G.P., 24Vdc 1.5A R. Enclosure Type 4X                                    |

| Notes  |
|--|
| The degree of protection (IP code) specified applies solely to a property closed cover and the use of an equivalent cable gland with adequate cable. |